



## CBA - Air Breathers

### HAND MOUNTING

Air breathers with threaded connection, zinc plated body and chrome plated cap.  
Air filter element (not replaceable): cellulose 3µm polyurathan 10µm

Article No.	Description	Price £	Price €
<b>CBA11B02CC</b>	Breathing cap ø46, 1/4", 3µ	<b>ON REQUEST</b>	
<b>CBA11B02PE</b>	Breathing cap ø46, 1/4", 10µ	<b>ON REQUEST</b>	
<b>CBA21B06CC</b>	Breathing cap ø80, 3/4", 3µ	<b>ON REQUEST</b>	
<b>CBA21B06PE</b>	Breathing cap ø80, 3/4", 10µ	<b>ON REQUEST</b>	

### Ordering Codes

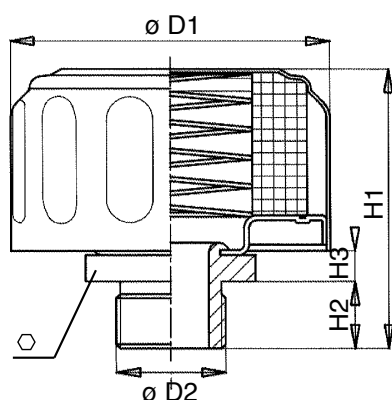
<b>C</b>	Type		
	C = Accessory product	<b>C</b>	<b>C</b>

<b>B</b>	<b>A</b>			Family, Nominal Size, Length		
					<b>11</b>	<b>21</b>

<b>B</b>	Connection type		
	B = BSP thread	<b>B</b>	<b>B</b>

		Connection Size		
		02 = 1/4"	<b>02</b>	-
		06 = 3/4"	-	<b>06</b>

		Filter Media		
		CC = cellulose	<b>CC</b>	<b>CC</b>
		PE = polyurathan foam	<b>PE</b>	<b>PE</b>



DIMENSIONS								
	Filtr. µm	Flow rate (l/min)	D1	D2	○	H1	H2	H3
CBA11B02CC	3	150	47	1/4" BSP	19	45	12	7
CBA11B02PE	10	300	47	1/4" BSP	19	45	12	7
CBA21B06CC	3	450	76	3/4" BSP	35	66	16	7
CBA21B06PE	10	750	76	3/4" BSP	35	66	16	7