

CR08-38

Bi-Directional Relief Valve, 207 BAR Rated

A screw-in, cartridge-style, direct-acting, differential area, poppet-type, bi-directional relief valve, intended for use as a pressure limiting device in demanding hydraulic circuits.

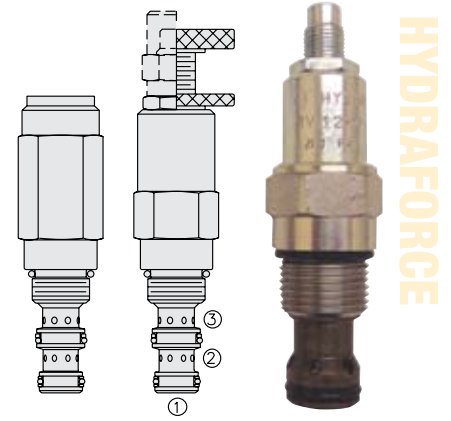
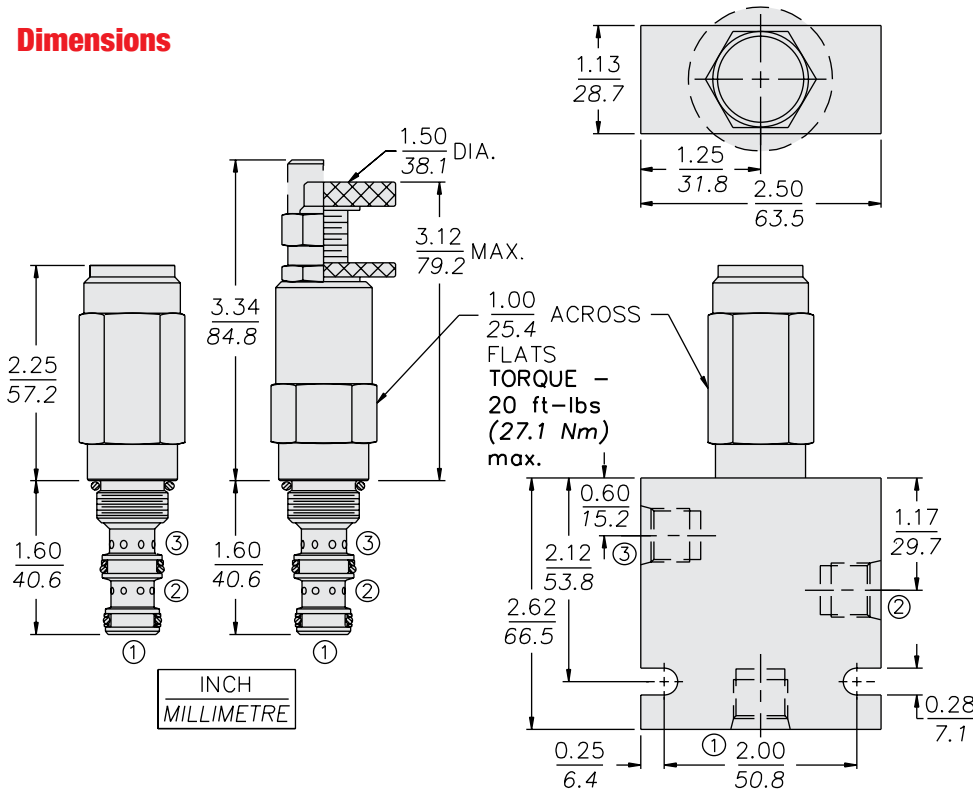
Note: Orifice Disc should not be used with this valve.

Porting	Hydraforce code	Article no.	Spring Options	Price £	Price €
Cartridge Version	CR08-38A-0-N30	CR0838AC30		£92.10	€110.50
INLINE 1/4" BSP	CR08-38A-2B-N30	CR0838A2B30	* suffix with 30 = 68 TO 205 BAR	£136.50	€163.80
INLINE 3/8" BSP	CR08-38A-3B-N30	CR0838A3B30		£136.50	€163.80

with nitril seals / Viton on request

- Standard** - with 1/4" HEX ALLEN HEAD 'A'
- On request** - 11/2" dia alum knob 'B'
 Option 'A' with cover cap 'C'
 Factory Set - Non Adjustable 'F'
 Factory Set - Hidden Adjustment 'H'
 Lockwire Holes 'L'

Dimensions



Materials

Cartridge:

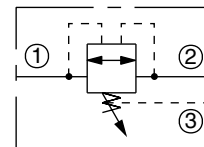
Weight: 0.14 kg. (0.30 lbs.)
 Steel with hardened work surfaces.
 Zinc-plated exposed surfaces.
 Buna N O-rings and TFE back-ups standard. Anodized aluminum knob.

Standard Ported Body:

Weight: 0.27 kg. (0.60 lbs.)
 Anodized highstrength 6061 T6 aluminum alloy, rated to 207 bar (3000 psi).
 Ductile iron bodies available; dimensions may differ.

Symbols

USASI/ISO:



Performance

