

CR10-28

Relief, Bi-Directional, 207 BAR Rated

A screw-in, cartridge-style, direct-acting, differential area, poppet-type, bi-directional relief valve.

Porting	Hydraforce code	Article no.	Spring Options	Price £	Price €
Cartridge Version	CR10-28A-0-N*	CR1028AC*		£150.20	€180.30
INLINE 3/8" BSP	CR10-28A-3B-N*	CR1028A3B*	* suffix with 24 = 14 TO 168 BAR 30 = 160 TO 210 BAR	£188.20	€225.80
INLINE 1/2" BSP	CR10-28A-4B-N*	CR1028A4B*		£188.20	€225.80

with nitril seals / Viton on request

Materials

Cartridge:

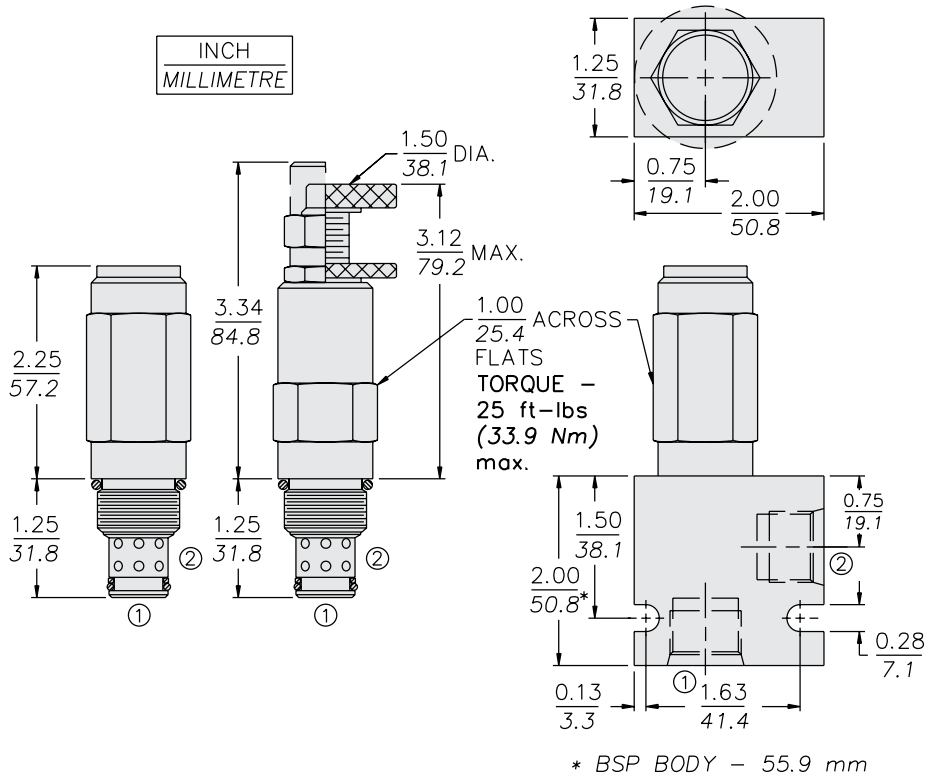
Weight: 0.22 kg. (0.5 lbs.)
Steel with hardened work surfaces.
Zinc-plated exposed surfaces.
Buna N O-rings and TFE backup standard.
Anodized aluminum knobs.

Standard Ported Body:

Weight: 0.16 kg. (0.35 lbs.)
Anodized highstrength 6061 T6 aluminum alloy, rated to 207 bar (3000 psi).
Ductile iron bodies available; dimensions may differ.

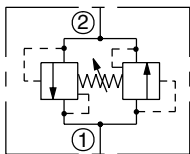
- Standard** - with 1/4" HEX ALLEN HEAD 'A'
- On request** - 11/2" dia alum knob 'B'
Option 'A' with cover cap 'C'
Factory Set - Non Adjustable 'F'
Factory Set - Hidden Adjustment 'H'
Lockwire Holes 'L'

Dimensions



Symbols

USASI/ISO:



Performance

