

## EV16-S34

### Vented Spool-Type Logic Element, 207 BAR Rated

A spool-type, screw-in, cartridge-style, hydraulic directional element, with multifunction potential when used with other directional, pressure, or flow control devices.



Porting	Hydraforce code	Article no.	Spring Options	Price £	Price €
Cartridge Version	EV16-S34-0-N-*	EV16S340C*	* suffix with		
			10 = 0.7 BAR (10 PSI)		
			20 = 1.4 BAR (20 PSI)		
			40 = 2.8 BAR (40 PSI)	£82.00	€98.40
			70 = 4.8 BAR (70 PSI)		
			90 = 6.2 BAR (90 PSI)		
			110 = 7.6 BAR (110 PSI)		
			160 = 11 BAR (160 PSI)		
with nitril seals / Viton on request					

### Materials

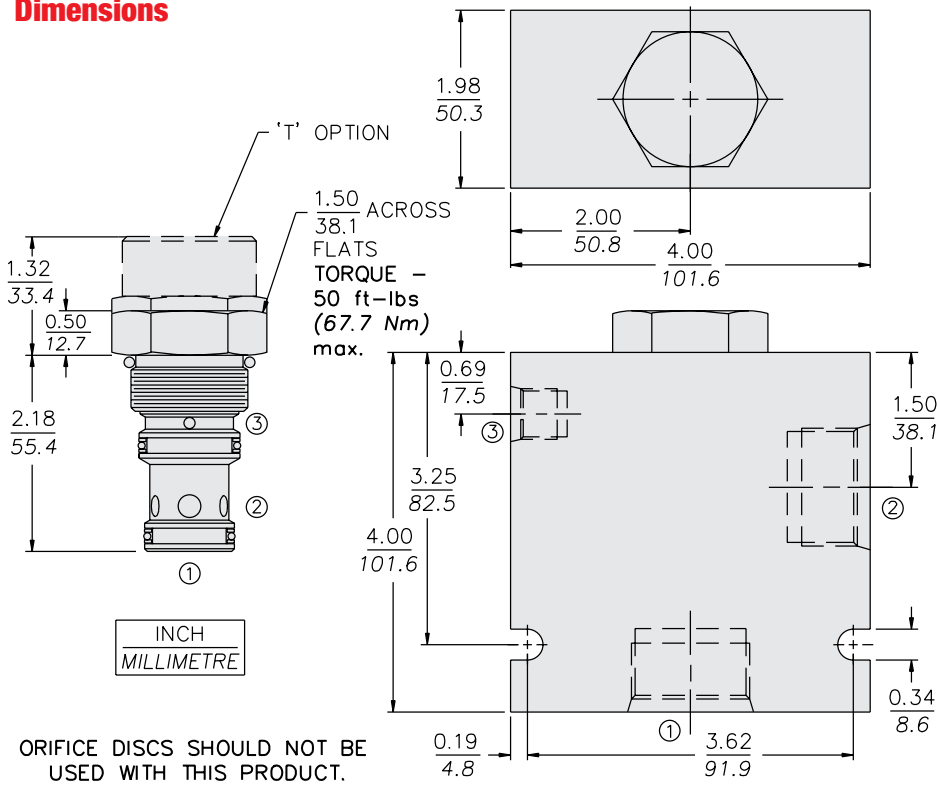
#### Cartridge:

Weight: 0.27 kg. (0.60 lbs.)  
Steel with hardened work surfaces.  
Zinc-plated exposed surfaces.  
Buna N O-rings and polyester elastomer back-ups standard.

#### Standard Ported Body:

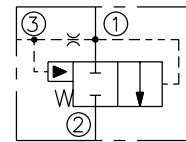
Weight: 1.50 kg. (3.3 lbs.)  
Anodized highstrength 6061 T6 aluminum alloy, rated to 207 bar (3000 psi).  
Ductile iron bodies available; dimensions may differ.

### Dimensions

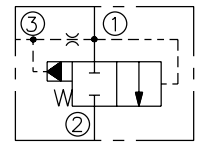


### Symbols

#### USASI:



#### ISO:



### Performance

