

## FR12-23

### Regulator, Pressure Compensated, 207 BAR Rated

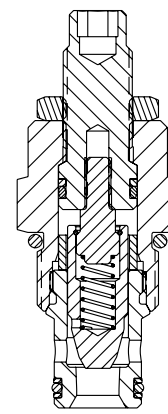
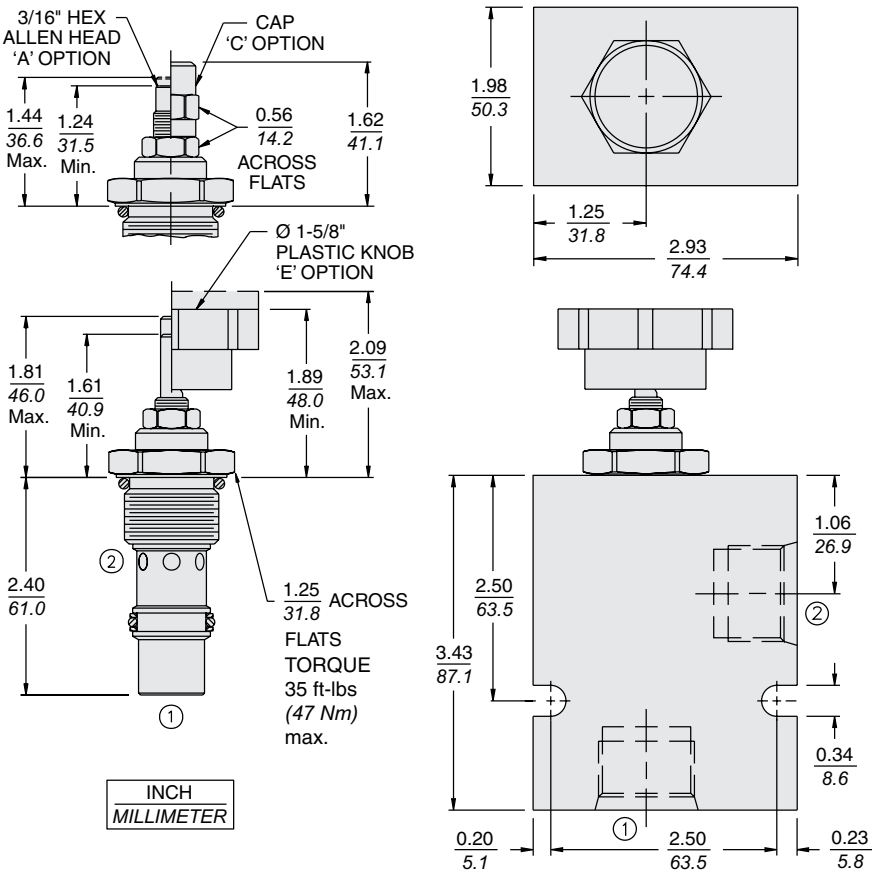
A screw-in, cartridge-style, adjustable orifice, pressure-compensated, manually-operated hydraulic flow regulating valve (restrictive type).

Porting	Hydraforce code	Article no.	Flow Setting*	Price £	Price €
Cartridge Version	FR12-23A-0-N-XX	<b>FR1223AC*</b>	<b>* Standard factory setting 4 - 6 gpm (18 - 27 lpm)</b>	<b>£133.70</b>	<b>€160.40</b>
<b>* Please state desired flow setting</b>					

with nitril seals / Viton on request

- Standard** - with 3/16" HEX ALLEN HEAD (A)  
**On request** - 11/2" dia alum knob  
 Option (A) with cover cap (C)  
 Top plastic knob  
 Lockwire holes (with option (C))

### Dimensions



HYDRAFORCE

### Materials

#### Cartridge:

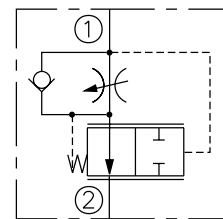
Weight: 0.08 kg. (0.18 lbs.)  
 Steel with hardened work surfaces.  
 Zinc-plated exposed surfaces.  
 Buna N O-rings and polyester elastomer back-ups standard.

#### Special Ported Body:

Weight: 0.52 kg. (1.15 lbs.)  
 Anodized highstrength 6061 T6 aluminum alloy, rated to 207 bar (3000 psi).  
 Ductile iron bodies available; dimensions may differ.

### Symbols

#### USASI/ISO:



### Performance

