

HQ-008 – HQ120

Specifications

Enclosure	Weatherproof IP67 (IP68 optional)
Power supply	110/220v 50/60Hz, 24vAC/DC, 380/440V 3 Phase
Duty cycle (On/Off Duty)	S4, 70% Standard, 100% for max 30 mins
Motor	Squirrel caged induction motor
Limit switches	4 x SPDT, 250V AC 10A
Torque switches	2 x SPDT, 250V AC 10A (HQ015 – HQ120)
Space heater	20W (110/220V AC) Anti condensation
Conduit entries	2 x M25 (PG13.5 or 1/2" NPT option)
Travel angle	90° ± 5°
Ambient temperature	-20°C to +70°C
External coating	Dry power, Polyester

Option Specifications

Potentiometer Unit	1K – 10K
Proportional Control Unit	In/Out: 0-10V DC, 4-20mA
Current Position Transmitter	Output 4-20mA
Local Control Unit	Remote/Open/Stop/Close switch
Explosion Proof Enclosure	ATEX II 2G Eexd IIB T4
Fire Proof Actuator	250°C/150 min

On Request

- With proportional control option
- With battery back-up for failsafe facility

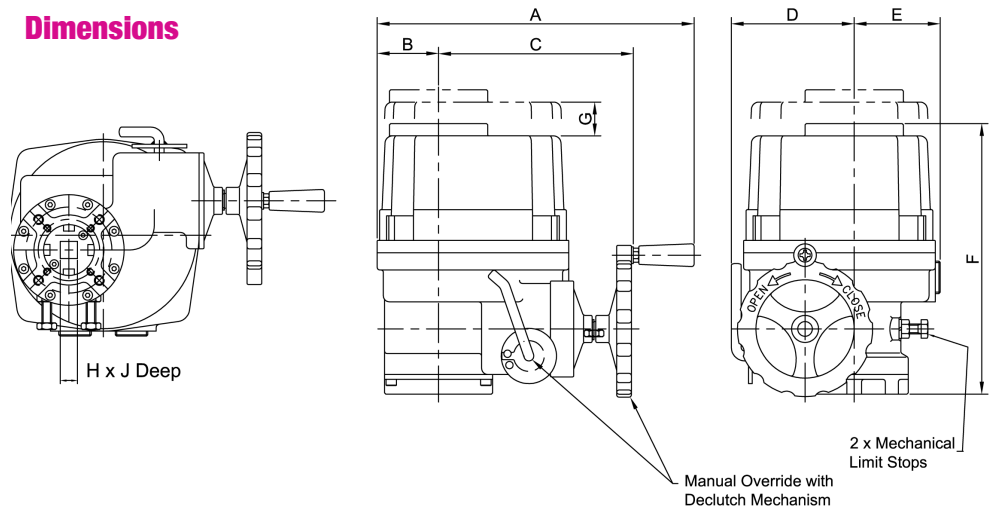
Performance

Torque Nm	Speed 90° 50/60Hz	Current (A) MAX			Weight Kg	MAX SQ. Drive	Mounting Details
		110/1/50	220/1/50	380/3/50			
80	16/13	1.10	0.55	N/A	7.4	17	F07 14mm STAR
150	25/21	1.65	0.88	0.31	16.6	19	F07 / F10 17mm STAR
200	25/21	1.67	0.89	0.31	16.6	19	
300	31/26	1.86	0.92	0.35	22	30	F10 / F12 22mm STAR
500	31/26	3.62	1.58	0.59	23	30	
600	31/26	3.62	1.62	0.60	23	30	
800	34/28	4.10	2.20	0.85	29	40	F12 / F14 27mm STAR
1200	34/28	4.20	2.35	0.87	29	40	

Article no.	Price £	Price €
HQ008	£913.90	€1,096.70
HQ015	£1,149.10	€1,378.90
HQ020	£1,344.00	€1,612.80
HQ030	£1,501.90	€1,802.30
HQ050	£1,683.40	€2,020.00
HQ060	£1,878.20	€2,253.90
HQ080	£2,177.30	€2,612.70
HQ120	£2,570.40	€3,084.50

Voltages suffix with
 A = 240V
 B = 110V
 D = 24V

Dimensions



MODEL	BASE	A	B	C	D	E	F	G	H*	J
HQ008	F07	258	50	157	100	70	235	120	14	35
HQ015	F07/F10	338	73	200	142	87	268	160	17	45
HQ020	F07/F10	338	73	200	142	87	268	160	17	45
HQ030	F10/F12	368	82	221	160	99	290	180	22	52
HQ050	F10/F12	368	82	221	160	99	290	180	22	52
HQ060	F10/F12	368	82	221	160	99	290	180	22	52
HQ080	F12/F14	410	103	242	186	111	330	210	36	60
HQ120	F12/F14	410	103	242	186	111	330	210	36	60

* CAN BE MACHINED TO SUIT MOST VALVE STEMS (ON REQUEST)