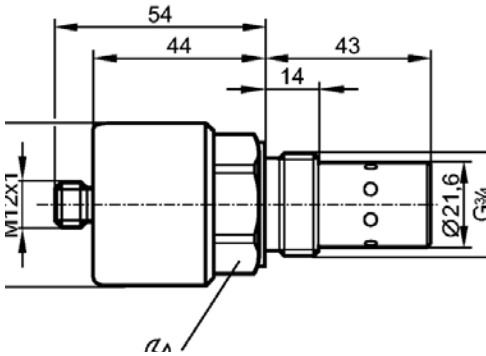




LDH100 - Oil Humidity Sensor



Article No.	Price £	Price €
LHD100		ON REQUEST

- Connector
- Process connection: G 3/8
- Measuring range
- Medium temperature (T)
- -20...120 °C
- Rel. humidity (φ)
- 0...100 %
- Oil humidity sensor for 24V DC supply
- Independent 4 - 20 mA output for humidity and for temperature

Application

Mineral oils, synthetic esters, biodegradable oils, air

Medium temperature oil [°C]

- Continuous [°C]	-20...100
- Short time [°C]	-20...120

Electrical data

Electrical design	DC analogue
Operating voltage [V]	9...33 DC
Current consumption [mA]	< 25 (≤ 60)
Protection class	III

Outputs

Output	2 analogue outputs 4...20 mA
Output function	4...20 mA analogue
Analogue output	2 x 4...20 mA
Max. load [Ω]	max. (U _b -8) x 25

Measuring / setting range

Accuracy	φ: ± 3 % / T: ± 2 %
Resolution	φ: 1% / T: 0.1 K

Environment

Ambient temperature [°C]	-20...85
Storage temperature [°C]	-20...85
Maximum vessel pressure [bar]	10
Max. permissible flow velocity	< 5 m/s
Protection	IP 67

Tests / approvals

EMC	IEC 61000-6-2 : 2005 IEC 61000-6-4 : 2006 + AMD1: 2010
Vibration resistance	test following DIN EN 60068-2-6

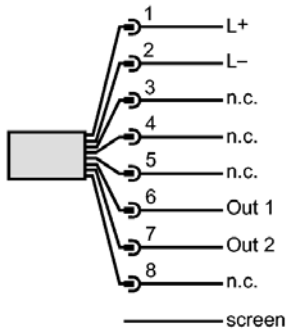
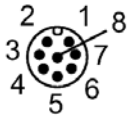
Mechanical data

Process connection	G 3/8
Materials (wetted parts)	aluminium; HNBR; polyurethane resin; epoxy resin
Weight [kg]	0.167

Electrical connection

Connection - M12 connector

Wiring



n.c. = not connected
OUT 1: oil temperature
OUT 2: relative humidity

Accuracy values expressed in percent refer to the measuring span