

## NV10-20

### Needle Valve, 207 BAR Rated

A screw-in, cartridge-style, variable orifice, hydraulic flow restrictor valve.

Porting	Hydraforce code	Article no.	Price £	Price €
Cartridge Version	NV10-20A-0-N	<b>NV1020AC</b>	<b>£42.00</b>	<b>€50.40</b>
INLINE 1/4" BSP	NV10-20A-2B-N	<b>NV1020A2B</b>	<b>£80.80</b>	<b>€96.90</b>
INLINE 3/8" BSP	NV10-20A-3B-N	<b>NV1020A3B</b>	<b>£80.00</b>	<b>€96.00</b>
INLINE 1/2" BSP	NV10-20A-4B-N	<b>NV1020A4B</b>	<b>£80.00</b>	<b>€96.00</b>

with nitril seals / Viton on request

### Materials

#### Cartridge:

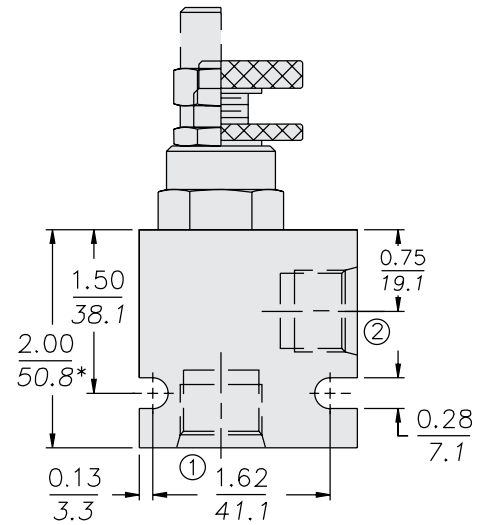
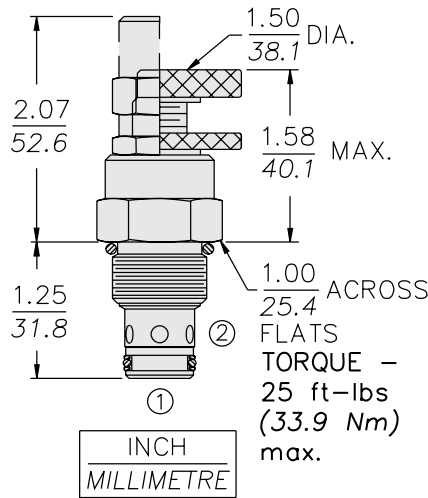
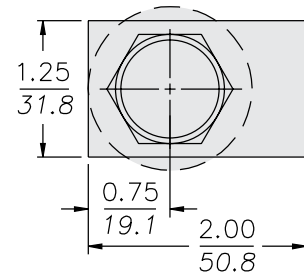
Weight: 0.15 kg. (0.33 lbs.)  
Steel with hardened work surfaces.  
Zinc-plated exposed surfaces.  
Buna N O-rings and polyester elastomer back-ups standard.  
Anodized aluminum knobs.

#### Standard Ported Body:

Weight: 0.16 kg. (0.35 lbs.)  
Anodized highstrength 6061 T6 aluminum alloy, rated to 207 bar (3000 psi).  
Ductile iron bodies available; dimensions may differ.

- Standard** - with 1/4" HEX ALLEN HEAD (A)  
**On request** - 11/2" dia alum knob  
Option (A) with cover cap (C)  
Top knob with locknut  
Top knob only  
Lockwire holes (with option (C))

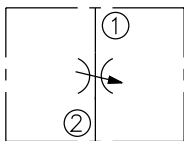
### Dimensions



\* BSP BODY - 55.9

### Symbols

#### USASI/ISO:



### Performance

