

NV12-20

Needle Valve, 207 BAR Rated

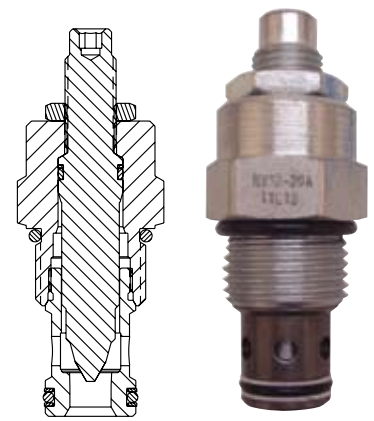
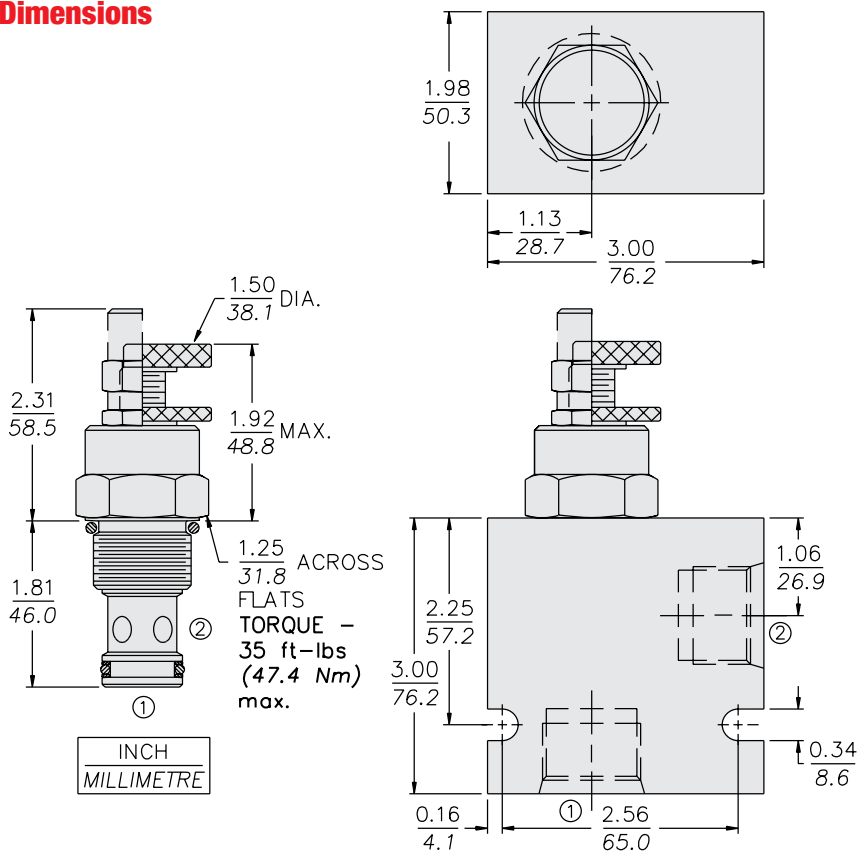
A screw-in, cartridge-style, variable orifice, hydraulic flow restrictor valve

Porting	Hydraforce code	Article no.	Price £	Price €
Cartridge Version	NV12-20A-0-N	NV1220AC	£72.70	€87.20
INLINE 1/2" BSP	NV12-20A-4B-N	NV1220A4B	£134.50	€161.40
INLINE 3/4" BSP	NV12-20A-6B-N	NV1220A6B	£134.50	€161.40
INLINE 1" BSP	NV12-20A-8B-N	NV1220A8B	£134.50	€161.40

with nitril seals / Viton on request

- Standard** - with 1/4" HEX ALLEN HEAD (A)
On request - 1 1/2" Dia Alum Knob
 Option (A) with cover cap (C)
 Top knob with locknut
 Top knob only
 Lockwire holes (with option (C))

Dimensions



HYDRAFORCE

Materials

Cartridge:

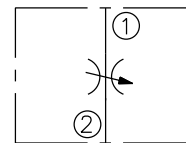
Weight: 0.20 kg. (0.45 lbs.)
 Steel with hardened work surfaces.
 Zinc-plated exposed surfaces.
 Buna N O-rings and polyester elastomer back-ups standard.
 Anodized aluminum knobs.

Standard Ported Body:

Weight: 0.57 kg. (1.25 lbs.)
 Anodized highstrength 6061 T6 aluminum alloy, rated to 207 bar (3000 psi).
 Ductile iron bodies available; dimensions may differ.

Symbols

USASI/ISO:



Performance

