

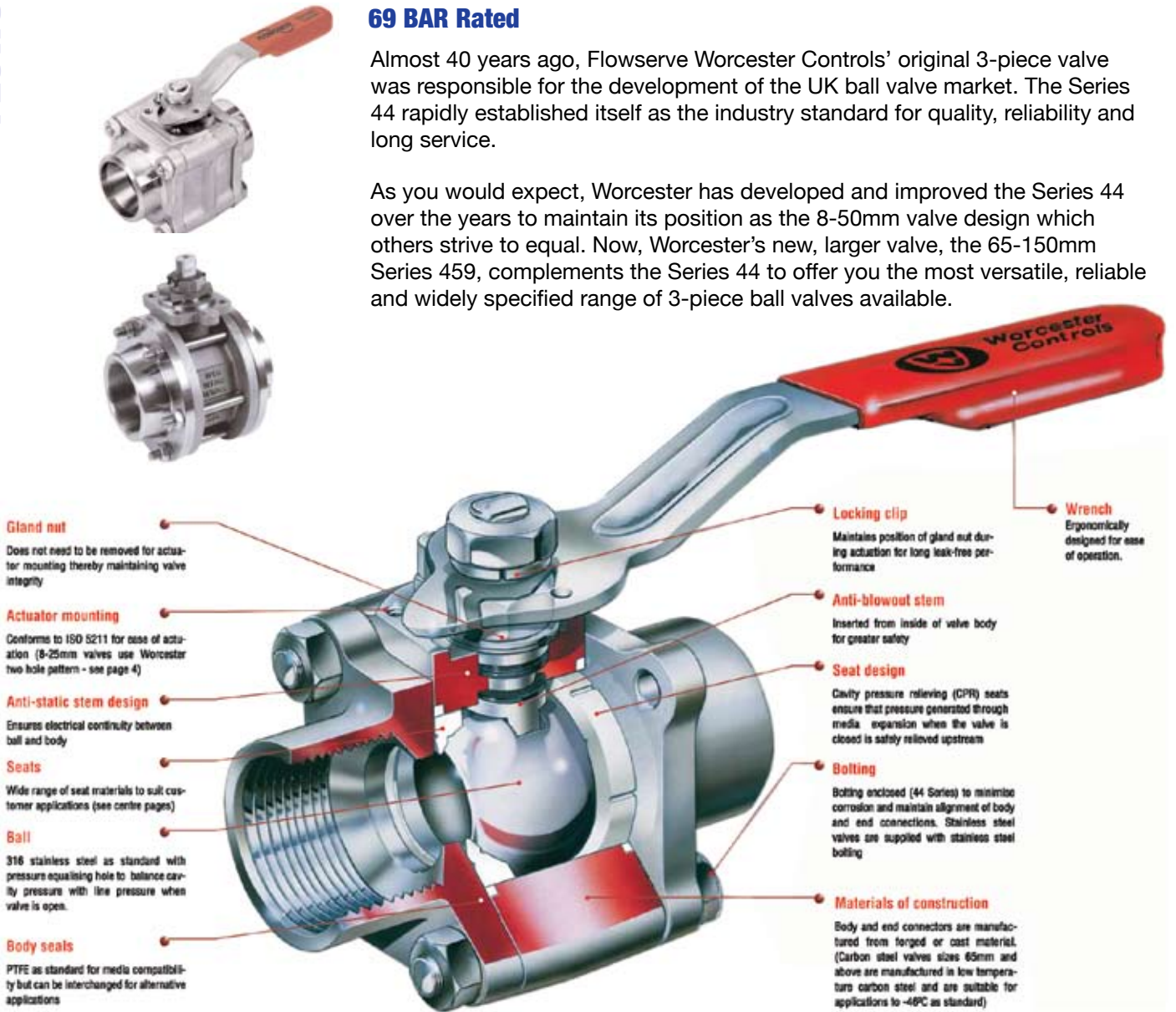


Worcester Controls 44/459 3-Piece Reduced Ball Valves

69 BAR Rated

Almost 40 years ago, Flowserve Worcester Controls' original 3-piece valve was responsible for the development of the UK ball valve market. The Series 44 rapidly established itself as the industry standard for quality, reliability and long service.

As you would expect, Worcester has developed and improved the Series 44 over the years to maintain its position as the 8-50mm valve design which others strive to equal. Now, Worcester's new, larger valve, the 65-150mm Series 459, complements the Series 44 to offer you the most versatile, reliable and widely specified range of 3-piece ball valves available.



Product Coding 44 Series

1	0			A	1	4	-	4	4	6	6	T	T	S	E	T	S	E	T	P	4	0	4	T
Size		Variation			Series	Body		Ball	Stem	Seat/Seal		Ends			Specials		Rev							

Product Coding 459 Series

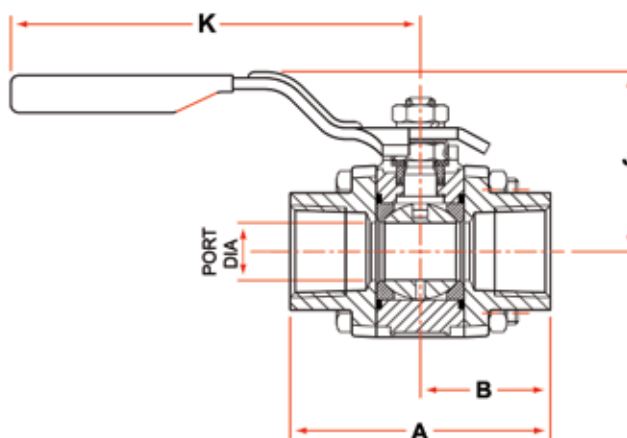
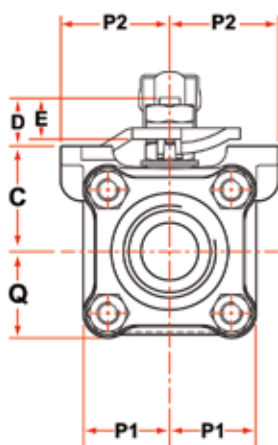
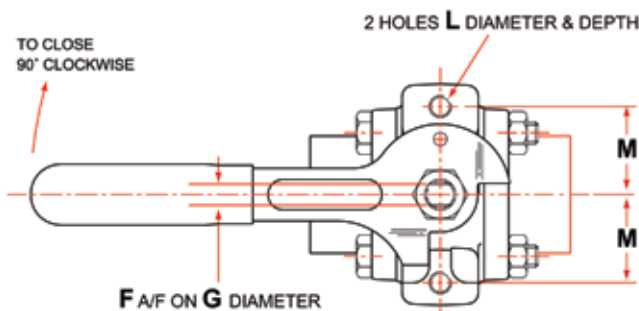
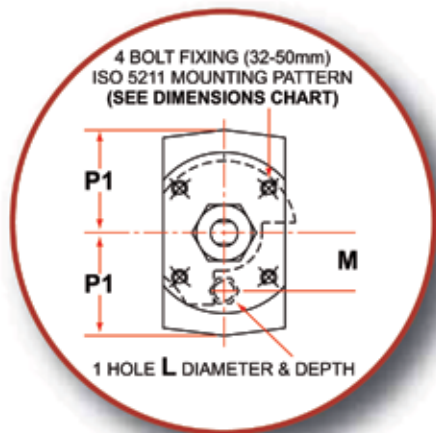
3	0			A	4	5	9	5	6	6	T	T	7	T	Z	S	E	T	P	4	0	4	T
Size		Variation			Series	Body & End	Ball	Stem	Seat/Seal	Thrust Seal	Gland Packing	Ends			Specials		Rev						

Worcester Controls 44/459 3-Piece Reduced Ball Valves

8 - 50mm



FLOWERVE

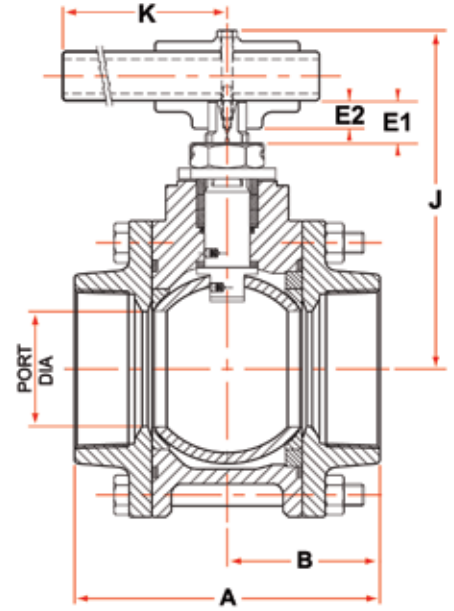
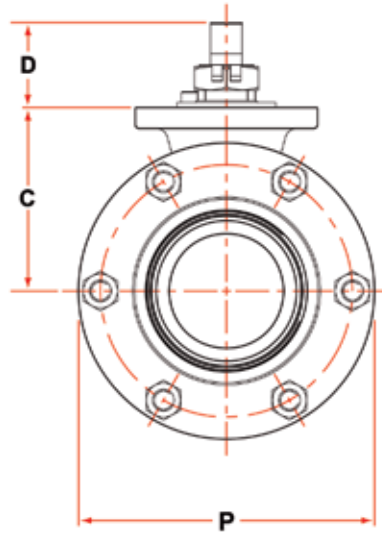
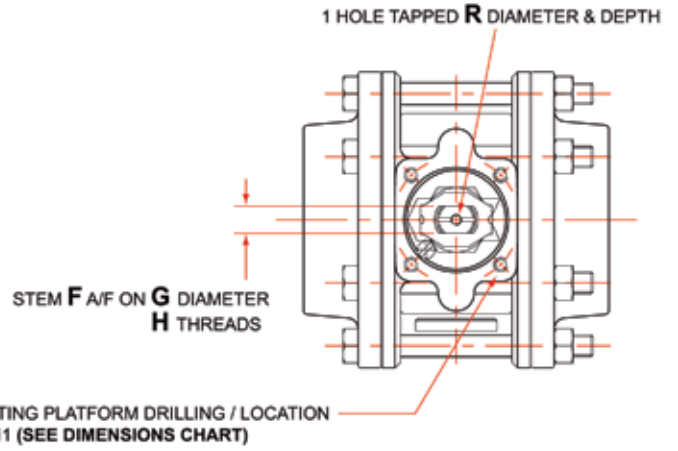


Valve Size (mm)	Port Ø Min.	STEM										MOUNTING PLATFORM (ISO 5211)						WEIGHT Kg	
		A	B	C	D	E	F A/F	G THREAD	J	K	L THREAD & DEPTH	M	P1	P2	Q	ISO SIZE	MOUNTING HOLES		PLATFORM RECESS
15	10.9	66.25 64.52	32.69	26.7 26.5	11.68 11.04	10.69 10.19	5.54 5.46	3/8"-24 UNF	57.9	136.0	M6 x1.0p 9.5 MIN	24.0	23.8	30.4	23.8				0.7
20	14.0	71.81 70.09	35.48	29.1 28.9	11.68 11.04	10.69 10.19	5.54 5.46	3/8"-24 UNF	60.3	136.0	M6 x1.0p 9.5 MIN	27.0	27.2	33.4	27.2				0.9
25	20.4	94.55 92.82	46.84	38.1 37.9	17.94 17.16	15.19 14.69	7.54 7.47	7/16"-20 UNF	64.8	149.0	M8 x1.25p 9.7 MIN	31.75	32.7	40.5	32.7				1.6
32	25.1	105.17 106.90	53.02	36.85 37.10	22.91 23.74	14.69 15.19	7.54 7.47	7/16"-20 UNF	69.6	149.0	M5 x0.8p 6.0 MIN	19.5	36.3	36.3	F04	4 OFF M5 x0.8p x7.5 DEEP MIN ON 42.0 P.C.D.	Ø 30.15/30.02 x4.29/3.52 DEEP		2.2
40	31.3	115.41 113.69	57.28	44.0 43.75	29.55 28.73	18.39 17.89	8.71 8.64	9/16"-18 UNF	77.9	181.0	M6 x1.0p MIN	23.0	42.3	42.3	F05	4 OFF M6 x1.0p x8.7 DEEP MIN ON 50.0 P.C.D.	Ø 35.15/35.02 x4.01/3.26 DEEP		3.2
50	37.7	127.94 126.21	63.54	48.75 48.50	29.55 28.73	18.39 17.89	8.71 8.64	9/16"-18 UNF	82.6	181.0	M6 x1.0p MIN	23.0	47.4	47.4	F05	4 OFF M6 x1.0p x8.7 DEEP MIN ON 50.0 P.C.D.	Ø 35.15/35.02 x4.01/3.26 DEEP MIN		4.3



Worcestor Controls 44/459 3-Piece Reduced Ball Valves

65 - 150mm



Valve Size (mm)	Port Ø Min.	STEM										MOUNTING PLATFORM (ISO 5211)				WEIGHT Kg		
		A	B	C	D	E MIN	E 1 MIN	F A/F	G Ø	H THREAD	J	K	P Ø	L THREAD & DEPTH	ISO SIZE		MOUNTING HOLES	PLATFORM RECESS
65	50.8	149.74 148.11	74.46	87.57 86.87	43.83 41.50	13.15	-	14.0	-	M20 x1.5p	156.1	225.0	148.0	M6 x1.0p x10.0 MIN	F07	4 OFF M8 x1.25p ON 70.0 P.C.D	Ø 54.97 / 54.90 x3.0 / 2.6 HIGH	9.0
80	63.55	170.04 168.31	84.59	101.90 101.10	51.10 48.44	19.37	16.8	15.1	21.2	M24 x2.0p	200.4	350.0	168.0	M6 x1.0p x12.0 MIN	F07	4 OFF M8 x1.25p x12.0 MIN	Ø 54.97 / 54.90 x3.0 / 2.6 HIGH	13.3
100	76.2	214.67 212.94	106.9	119.90 119.10	55.70 53.04	21.67	21.0	19.3	27.2	M30 x2.0p	213.5	557.0	196.0	M6 x1.0p 27.0	F10	4 OFF M10 x1.5p ON 102.0 P.C.D.	Ø 69.97 / 69.85 x3.0 / 2.6 HIGH	23.0
150	102.0	299.26 297.54	149.2	147.10 146.30	73.05 70.39	30.27	28.2	26.6	33.2	M36 x2.0p	274.8	850.0	256.0	M8 x1.25p x12.0 MIN	F12	4 OFF M12 x1.75p ON 125.0 P.C.D.	Ø 84.97 / 84.85 x3.0 / 2.6 HIGH	51.0