



Worcester 5 Series BS 5351 Approved Flanged Ball Valve

Flowserve Worcester is proud to announce the introduction of its new 519/529 range of ball valves which replaces the DN 15 - 50 sizes of the proven Series 51/52. The 519/529 has all the benefits of the 51/52 and in addition features an ISO 5211 mounting platform as well as the characteristics of full bore for sizes 15 - 40mm.

The 519/529 series has been independently third party type approved to BS 5351, including fire testing to BS EN 10497. The 519/529 is also available with the API 6D monogram upon request.

Anti-blowout Stem

Inserted from inside of valve body for greater safety.

Actuator mounting

Conforms to ISO 5211 for ease of actuation.

Anti-static stem design

Ensures electrical continuity between ball and body

Seats

Wide range of seat materials to suit customer applications.

Insert

Screwed insert designed to withstand full line differential pressure.

Ball

316 stainless steel as standard with pressure equalising hole to balance cavity pressure when valve is open. Parallel ported ball maximises flow and minimises pressure drop (DN 15 - 50 only).

Body seals

PTFE as standard with firesafe integrity maintained with metal to metal secondary seal.

Wrench

Ergonomically designed for ease of operation.

Locking clip

Maintains position of gland nut during actuation for long leak-free performance

Gland Nut

Does not need to be removed for actuator mounting thereby maintaining valve integrity.

Flange Connectors

Integral to body complying with all major international standards or alternatively to meet specific customer needs.

Gland Packing

Conforms to TA Luft requirement for emission regulation

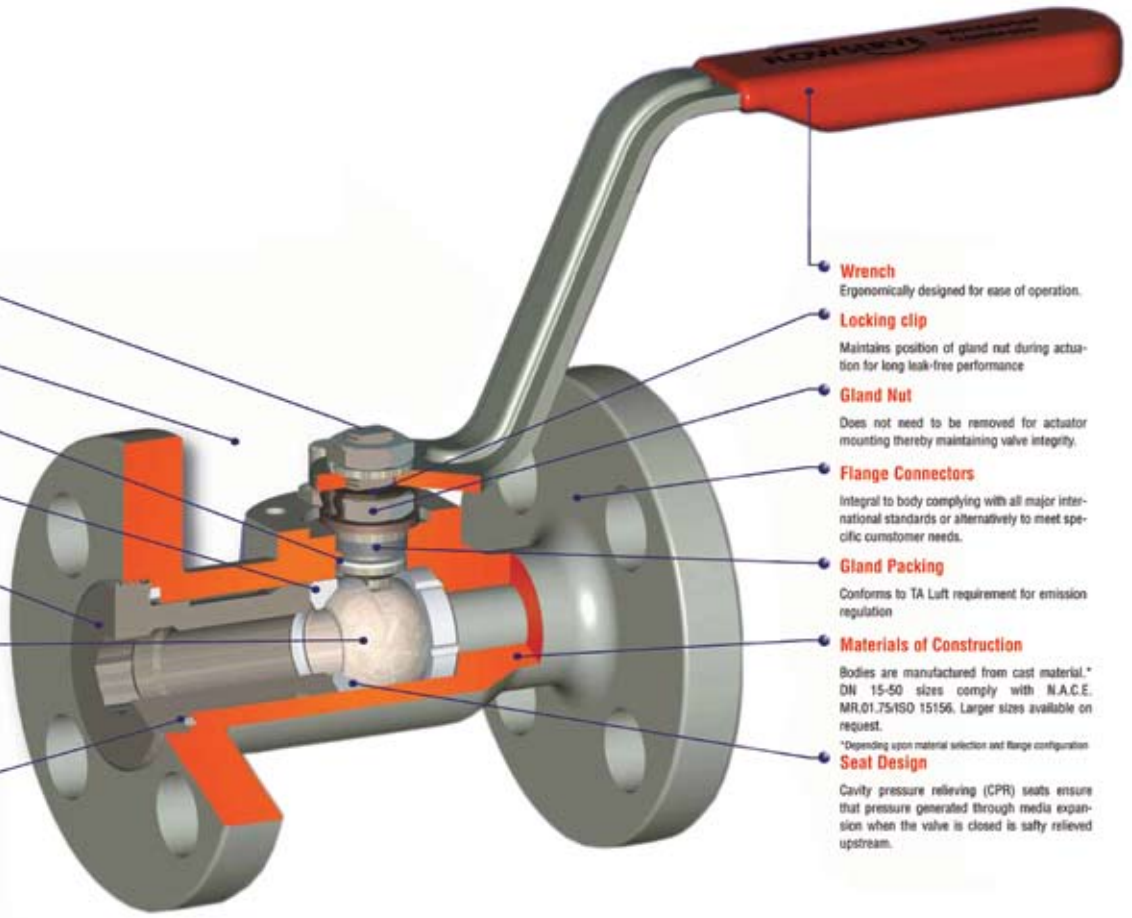
Materials of Construction

Bodies are manufactured from cast material.* DN 15-50 sizes comply with N.A.C.E. MR.01.75/ISO 15156. Larger sizes available on request.

*Depending upon material selection and flange configuration

Seat Design

Cavity pressure relieving (CPR) seats ensure that pressure generated through media expansion when the valve is closed is safely relieved upstream.

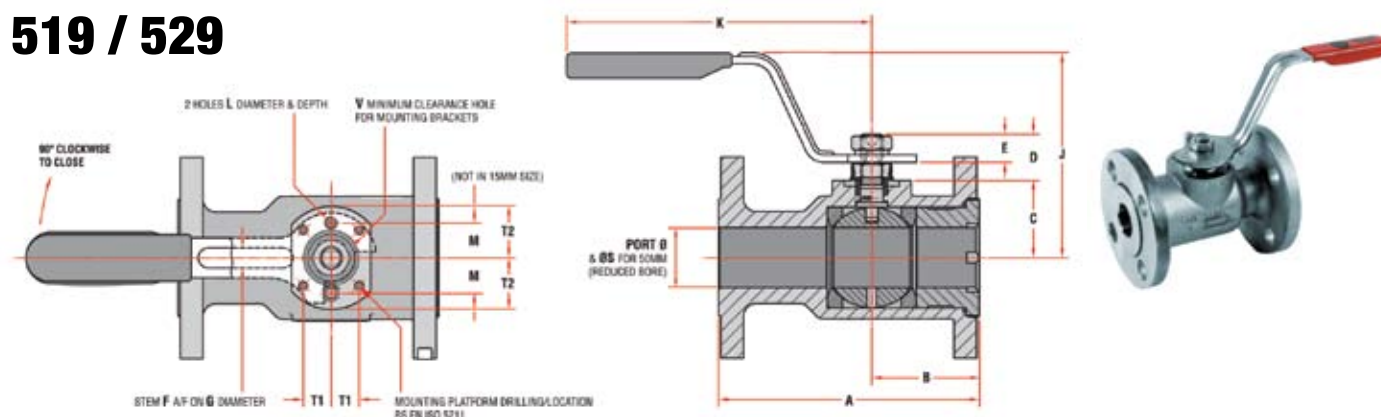


Worcester 5 Series BS 5351 Approved Flanged Ball Valve



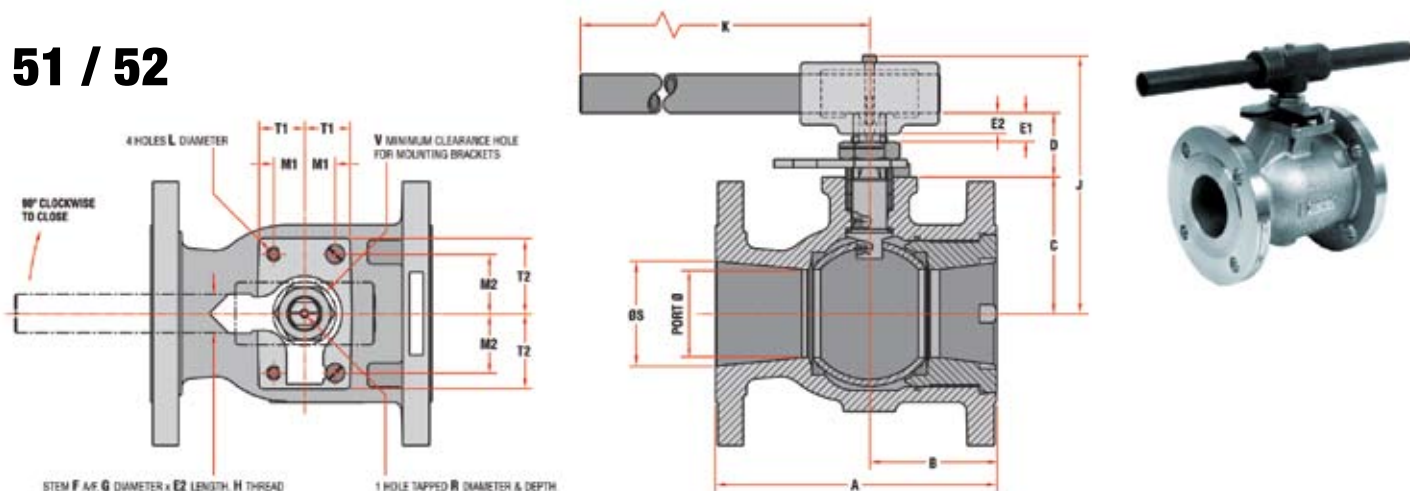
FLOWERVE

519 / 529



Port Ø Size	A		B					Stem		J		L Thread & Depth	M	S	T1	T2	V	Mounting Platform (ISO 5211)		Weight Kg		
	Min.	F519	F529	B	C	D	E	F A/F	G Thread	J	K							ISO Size	Mounting Holes	Platform Recess	F519	F529
15	13.7	108.0	140.0	52.5	23.27 23.01	17.56 16.86	10.69 10.19	5.54 5.46	3/8"-24 UNF	100.3	155.0	M6 x1.0p 9.2 MIN.	15.9	-	19.0	23.0	19.5	F03	4 OFF M5 x0.8p x8.0 DEEP MIN ON 36.0 P.C.D.	Ø 25.15 / 25.02 x2.36 / 1.73 DEEP	1.8	2.2
20	20.0	117.0	152.0	57.0	32.34 32.08	23.76 22.92	15.19 14.69	7.54 7.47	7/16"-20 UNF	112.8	168.0	M8 x1.25p 9.7 MIN.	20.65	-	22.0	27.0	22.5	F04	4 OFF M5 x0.8p x8.0 DEEP MIN ON 42.0 P.C.D.	Ø 30.15 / 30.02 x4.28 / 3.50 DEEP	2.4	3.5
25	25.3	127.0	165.0	63.0	37.11 36.85	23.74 22.90	15.19 14.69	7.54 7.47	7/16"-20 UNF	117.6	168.0	M8 x1.25p 9.7 MIN.	20.65	-	22.0	27.0	22.5	F04	4 OFF M5 x0.8p x8.0 DEEP MIN ON 42.0 P.C.D.	Ø 30.15 / 30.02 x4.28 / 3.50 DEEP	3.2	4.6
40	37.7	165.0	190.0	68.0	48.76 48.50	29.55 28.71	18.39 17.89	8.71 8.64	9/16"-18 UNF	133.6	193.0	M8 x1.25p 9.7 MIN.	22.25	-	25.0	32.5	29.5	F05	4 OFF M6 x1.0p x10.0 DEEP MIN ON 50.0 P.C.D.	Ø 30.15 / 30.02 x4.03 / 3.26 DEEP	5.8	8.6
50	37.7	178.0	216.0	70.8	47.06 46.80	31.25 30.41	18.39 17.89	8.71 8.64	9/16"-18 UNF	133.6	193.0	M8 x1.25p 9.7 MIN.	22.25	50.0	27.0	38.75	29.5	F05	4 OFF M6 x1.0p x10.0 DEEP MIN ON 50.0 P.C.D.	Ø 35.15 / 35.02 x2.33 / 1.56 DEEP	8.2	10.8

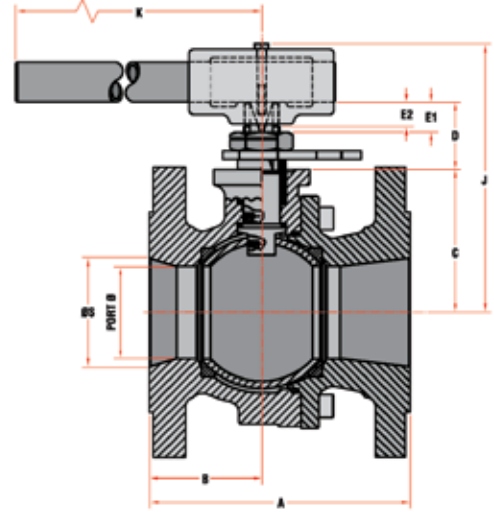
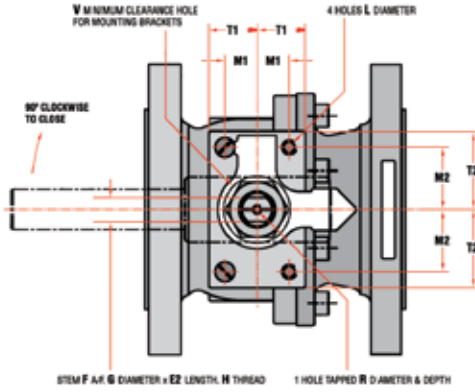
51 / 52



Size	Port Ø Min	A		B	C	D	E1 MIN.	E2 MIN.	STEM			J	K	L	M1	M2	R Thread & Depth	S	T1	T2	V	Weight Kg	
		F51	F52						F A/F	G Ø	H Thread											F51	F52
80	63.1	203.0	283.0	91.9	98.55 98.05	47.43 45.63	18.85	15.9	15.87 22.75	23.00 22.75	1"-14 UNS	184.5	350.0	M10 x1.5p	22.22	42.86	M6 x1.0p x1.9 MIN	77.0	33.8	54.4	46.0	18.0	26.0
100	82.1	229.0	305.0	101.4	114.25 113.75	47.43 45.63	18.85	15.9	15.87 15.77	23.00 22.75	1"-14 UNS	200.0	558.0	M10 x1.5p	22.22	42.86	M6 x1.0p x9.0 MIN	101.0	33.8	54.4	46.0	28.0	41.0
150	110.7	267.0	403.0	107.8	157.55 157.05	69.78 67.98	31.68	25.4	23.80 23.70	35.30 35.05	1 1/2"-12 UNF	282.5	850.0	M12 x1.75p	38.10	50.80	M8 x1.25p x11.0 MIN	153.0	51.2	63.9	68.0	52.0	76.0
200	144.3	292.0	419.0	144.3	185.05 184.55	69.78 67.98	31.68	25.4	23.80 23.70	35.30 35.05	1 1/2"-12 UNF	310.0	850.0	M12 x1.75p	38.10	50.80	M8 x1.25p x11.0 MIN	202.5	51.2	63.9	68.0	82.0	124.0



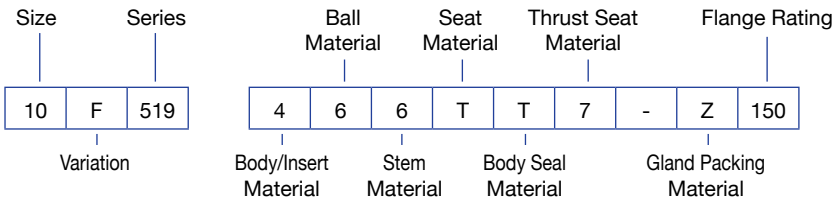
Worchester 5 Series BS 5351 Approved Flanged Ball Valve



Size	Port Ø Min.	A	B	C	D	E1 min.	E2 min.	Stem				L Thread	M1	M2	R Thread & Depth	S	T1	T2	V	Weight Kg	
								F A/F	G Ø	H Thread	J										
65	50.5	190.0	68.0	74.4 74.0	42.6 40.6	13.68	-	14.00 13.85	-	M20 x1.5P	141.5	225.0	M8 x1.25P	16.0	35.0	M6 x1.0P x10.0 MIN	65.0	26.0	45.0	40.0	16.0
80	63.1	203.2	77.8	98.55 98.05	47.43 45.63	18.85	15.9	15.87 15.77	23.00 22.75	1"-14 UNS	184.5	350.0	M10 x1.5P	22.22	42.86	M6 x1.0P x9.0 MIN	77.0	33.3	54.0	46.0	20.0
100	82.1	228.6	84.1	114.25 113.75	47.43 45.63	18.85	15.9	15.87 15.77	23.00 22.75	1"-14 UNS	200.0	558.0	M10 x1.5P	22.22	42.86	M6 x1.0P x9.0 MIN	101.0	33.3	54.0	46.0	28.0
150	110.7	266.7	120.6	157.55 157.05	69.78 67.98	31.68	25.4	23.80 23.70	35.30 35.05	1½"-12 UNF	282.5	850.0	M12 x1.75P	38.10	50.80	M8 x1.25P x11.0 MIN	153.0	50.8	63.5	68.0	60.0
200	144.3	292.0	136.4	185.05 184.55	69.78 67.98	31.68	25.4	23.80 23.70	35.30 35.05	1½"-12 UNF	310.0	850.0	M12 x1.75P	38.10	50.80	M8 x1.25P x11.0 MIN	202.5	50.8	63.5	68.0	85.0

Size	Port Ø min.	A		B	C	D	E1 min.	E2 min.	Stem			L Thread	M	M1	M2	P	S	V	Weight		
		F55	F56						F	G Ø	H Thread								F55	F56	
250	200.0	330.2	457.2	165.1	228.5	260.65 260.15	83.58 81.53	26.18	30.7	30.40 30.15	44.58 44.32	2"-6 UN x2.0p	M16	25.4	31.75	104.78	463.5	255.6	90.0	145.0	208.0

Product Coding 519/529 Series



Product Coding 51/52 or 55/56 Series

