

Pressure Filter - PD - CETOP Mounted

Pressure (ISO 10771-1:2002)

Max. working: 31,5 MPa (315 bar)
 Test: 47 MPa (470 bar)
 Bursting: 95 MPa (950 bar)
 Collapse, differential for the filter element (ISO 2941): series standard 2 MPa (20 bar)
 series H+ 21 MPa (210 bar)

Working Temperature

From -25° to +110° C

Compatibility (ISO 2943:1999)

Full with fluids: HH-HL-HM-HV-HTG (according to ISO 6743/4)
 For fluids different than the above mentioned, please contact our Sales Department.

Materials

Head: Cast iron
 Bowl: Steel
 Bypass valve: Steel
 Seals: NBR Nitrile (FKM - on request fluoroelastomer)
 Indicator housing: Brass

HOUSINGS

Body Size	Connection	Flow Rate Max Lpm	Price £	Price €
FPD01	CETOP 03	5 Lpm	ON REQUEST	
FPD02	CETOP 03	5 Lpm	ON REQUEST	
FPD12	CETOP 05	14 Lpm	ON REQUEST	
FPD21	CETOP 07	40 Lpm	ON REQUEST	
FPD22	CETOP 07	40 Lpm	ON REQUEST	

Above body without bypass valve - Not available on this series

FOR ELEMENT PART NUMBER

- E** - ELEMENT
- PB** - FILTER FAMILY SERIES
- 01** - FILTER HOUSING SIZE
- HA** - ELEMENT MEDIA

Example: Part **EPB11CC** : element in 5 micron fibre media for a size "01" housing

ELEMENT to be added

Element	Filtration	Size 01	Size 02	Size 12	Size 21	Size 22
HA	5 micron			ON REQUEST		
HB	7 micron			ON REQUEST		
HC	12 micron			ON REQUEST		
HD	21 micron			ON REQUEST		

210 BAR COLLAPSE PRESSURE NON BYPASS HOUSING CAN BE USED

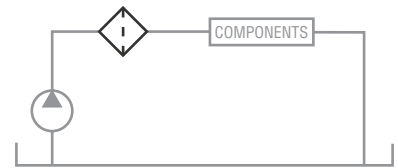
For flowrates please refer to the clean filter pressure drop flow rate tables

CLOGGING INDICATOR

		£	€
NONE - PLUGGED	O3		ON REQUEST
VISUAL BUTTON	5F		ON REQUEST
ELECTRICAL	6F	8 BAR	ON REQUEST
ELECTRICAL WITH LED	7F	CRACKING	ON REQUEST
ELECTRICAL WITH THERMOSTAT	T3	PRESSURE	ON REQUEST
VISUAL & ELECTRICAL	73		ON REQUEST



PRESSURE FILTERS



Application Example





Pressure Filter - PD - CETOP Mounted

Ordering Codes - Filter

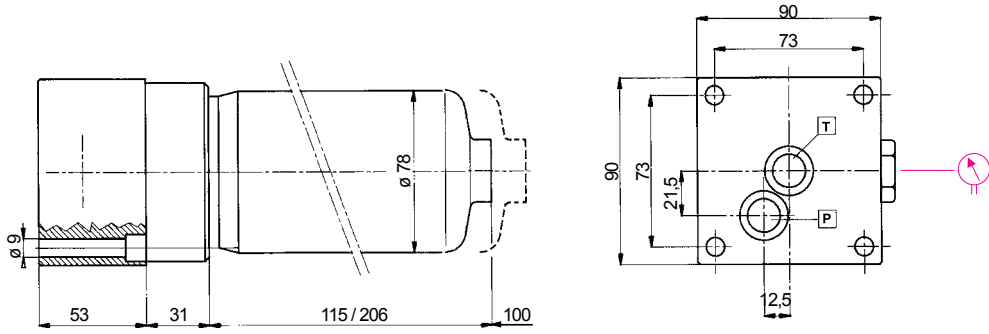
<input type="checkbox"/>		Type					
		F = Filter Complete	F	F	F	F	F
		B = Filter Housing	B	B	B	B	B
<input type="checkbox"/>	<input type="checkbox"/>	Family, Nominal Size, Length	01	02	12	21	22
			01	12	12		
<input type="checkbox"/>		Port Type					
		C = CETOP interface	C	C	C	C	C
		Y = bowl side B	Y	Y	-	-	-
<input type="checkbox"/>	<input type="checkbox"/>	Port Size					
		03 = CETOP 3 (size 6)	03	03	-	-	-
		05 = CETOP 5 (size 10)	-	-	05	-	-
		07 = CETOP 7 (size 16)	-	-	-	07	07
<input checked="" type="checkbox"/>	<input type="checkbox"/>	Bypass Valve - not available	X	X	X	X	X
<input type="checkbox"/>		Seals					
		N = NBR Nitrile	N	N	N	N	N
		F = FKM Fluoroelastomer	F	F	F	F	F
<input type="checkbox"/>	<input type="checkbox"/>	Filter Media					
		HA = Fibre 5 μ m ^(e) β >1.000 Δ p 21MPa (210 bar)	HA	HA	HA	HA	HA
		HB = Fibre 7 μ m ^(e) β >1.000 Δ p 21MPa (210 bar)	HB	HB	HB	HB	HB
		HC = Fibre 12 μ m ^(e) β >1.000 Δ p 21MPa (210 bar)	HC	HC	HC	HC	HC
		HD = Fibre 21 μ m ^(e) β >1.000 Δ p 21MPa (210 bar)	HD	HD	HD	HD	HD
<input type="checkbox"/>	<input type="checkbox"/>	Clogging Indicator					
		03 = port, plugged	03	03	03	03	03
		5F = visual differential 800 kPa (8 bar)	5F	5F	5F	5F	5F
		6F = electrical differential 800 kPa (8 bar)	6F	6F	6F	6F	6F
		7F = indicator 6F with LED	7F	7F	7F	7F	7F
		T3 = elect. diff. 800 kPa (8bar) with thermostat 30°C	T3	T3	T3	T3	T3
<input checked="" type="checkbox"/>	<input checked="" type="checkbox"/>	Accessories XX = no access available	XX	XX	XX	XX	XX

Ordering Codes - Element

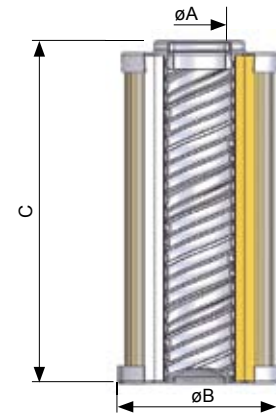
<input type="checkbox"/>	<input type="checkbox"/>	Element					
<input type="checkbox"/>	<input type="checkbox"/>	Family, Nominal Size, Length	01	02	12	21	22
			01	12	12		
<input type="checkbox"/>		Seals					
		N = NBR Nitrile	N	N	N	N	N
		F = FKM Fluoroelastomer	F	F	F	F	F
<input type="checkbox"/>	<input type="checkbox"/>	Filter Media					
		HA = Fibre 5 μ m ^(e) β >1.000 Δ p 21MPa (210 bar)	HA	HA	HA	HA	HA
		HB = Fibre 7 μ m ^(e) β >1.000 Δ p 21MPa (210 bar)	HB	HB	HB	HB	HB
		HC = Fibre 12 μ m ^(e) β >1.000 Δ p 21MPa (210 bar)	HC	HC	HC	HC	HC
		HD = Fibre 21 μ m ^(e) β >1.000 Δ p 21MPa (210 bar)	HD	HD	HD	HD	HD

Pressure Filter - PD - CETOP Mounted

FPD 21 weight KG. 4 - FPD 22 weight KG. 5,5



Dimensions - FILTER ELEMENT (mm)					
	A mm	B mm	C mm	Weight kg	Area (cm ²) Media H+ A B C
EPB01	16	33	100	0.14	270
EPB12	25	45	115	0.55	475
EPB21	23.5	52	115	0.40	975
EPB22	23.5	52	210	0.55	1,785

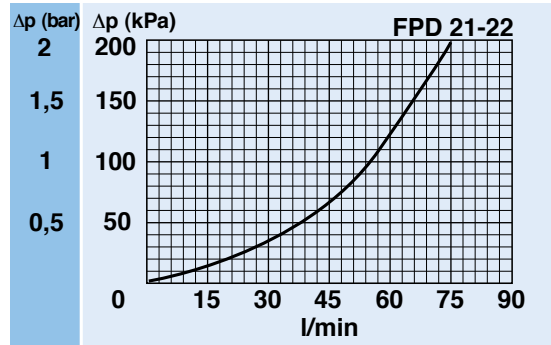
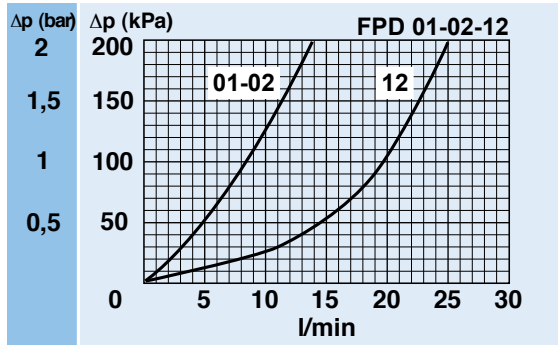


Pressure Filter - PD - CETOP Mounted

PRESSURE DROP CURVES (Δp)

The "Assembly Pressure Drop (Δp)" is obtained by adding the pressure drop values of the Filter Housing and of the Clean Filter Element corresponding to the considered Flow Rate and it must be lower than 120 kPa (1,2 bar).

FILTER HOUSING PRESSURE DROP (mainly depending on the port size)



CLEAN FILTER ELEMENT PRESSURE DROP WITH H+ MEDIA (depending both on the internal diameter of the element and on the filter media)

