

Pressure Filter - PG

50 BAR RATED - FLOWS TO 400 LPM

Pressure (ISO 10771-1:2002)
 Max working: 5 MPa (50 bar)
 Fatigue test: 0-5 Mpa (0-50 bar) 1 million cycles
 Collapse, differential for the filter element (ISO 2941): 1 MPa (10 bar)

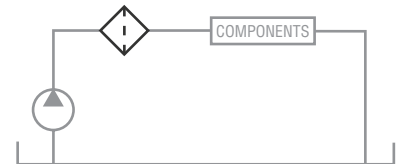
Bypass Valve
 Setting: 350 kPa (3,5 bar) ±10%

Working Temperature
 From -25° to +110° C

Compatibility (ISO 2943:1999)
 Full with fluids: HH-HL-HM-HV-HTG (according to ISO 6743/4)
 For fluids different than the above mentioned, please contact our Sales Department.



PRESSURE FILTERS



Materials

Head: Aluminium alloy
 Bowl: Steel
 Bypass valve : NBR Nitrile (FKM - on request fluoroelastomer)
 Seals: NBR Nitrile (FKM - on request fluoroelastomer)
 Indicator housing: Brass

Recommended Flow Rates

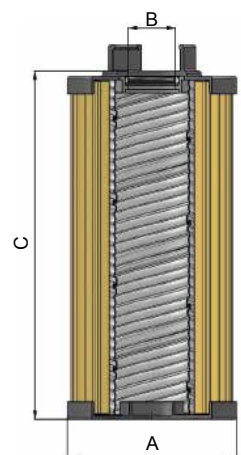
Filter Media	Δp 80 kPa (0.8 bar) for FPG20	Δp 80 kPa (0.8 bar) for FPG21	Δp 80 kPa (0.8 bar) for FPG22	Δp 80 kPa (0.8 bar) for FPG31
FA	55	80	90	260
FB	70	105	130	270
FC	80	120	150	310
FS	85	125	150	340
FD	90	130	150	360
CC	105	150	150	400
CD	115	150	150	400
MC	130	150	150	400
MD	130	150	150	400
ME	150	150	150	400
MF	150	150	150	400

N.B. All the data have been obtained with mineral oil having a kinematic viscosity 30 cSt and specific gravity 0,9 kg/dm³; for fluids with different features, please consider the factors described in the first part of this catalogue. All the data are obtained from test done at the UFI HYDRAULIC DIVISION Laboratory, according to the specification ISO 3968:2005.

In case of discrepancy, please check the contamination level, viscosity and features of the fluid in use.

Ordering Codes - Element

E	Element					
P	G	Family, Nominal Size, Length	20	21	22	31
		Seals				
		N = NBR Nitrile	N	N	N	N
		F = FPM Fluoroelastomer	F	F	F	F
		Filter Media				
		CC = Cellulose 10μm β>2	CC	CC	CC	CC
		CD = Cellulose 10μm β>2	CD	CD	CD	CD
		FA = Fibre 5μm(e) β>1.000	FA	FA	FA	FA
		FB = Fibre 7μm(e) β>1.000	FB	FB	FB	FB
		FC = Fibre 12μm(e) β>1.000	FC	FC	FC	FC
		FD = Fibre 21μm(e) β>1.000	FD	FD	FD	FD
		MC = Metal wire mesh 10μm	MC	MC	MC	MC
		MD = Metal wire mesh 30μm	MD	MD	MD	MD
		ME = Metal wire mesh 60μm	ME	ME	ME	ME
		MF = Metal wire mesh 90μm	MF	MF	MF	MF



FILTER ELEMENT

	A	B	C	Area (cm ²)		
				media F+	media C+	media M+
EPG20	78	30	100	1.300	1.500	1.000
EPG21	78	30	160	2.200	2.550	1.700
EPG22	78	30	240	3.300	3.900	2.600
EPG31	92	40	215	4.700	5.100	3.500



Pressure Filter - PG
50 BAR RATED - FLOWS TO 400 LPM

Ordering Codes - Filter

<input type="checkbox"/>	F	Type F = Filter Complete
--------------------------	----------	---------------------------------

<input type="checkbox"/>	P	<input type="checkbox"/>	G	<input type="checkbox"/>	<input type="checkbox"/>	Family, Nominal Size, Length	20	21	22	31
--------------------------	----------	--------------------------	----------	--------------------------	--------------------------	-------------------------------------	-----------	-----------	-----------	-----------

<input type="checkbox"/>	B	Port Type B = BSP Thread
--------------------------	----------	---------------------------------

<input type="checkbox"/>	<input type="checkbox"/>	Port Size				
		06 = 3/4"	06	06	06	-
		08 = 1"	08	08	08	-
		10 = 1 1/4"	-	-	-	10
		12 = 1 1/2"	-	-	-	12

<input type="checkbox"/>	Bypass Valve				
	W = Without	W	W	W	W
	D = bypass valve 3.5 bar	D	D	D	D

<input type="checkbox"/>	Seals				
	N = NBR Nitrile	N	N	N	N
	F = FPM Fluoroelastomer	F	F	F	F

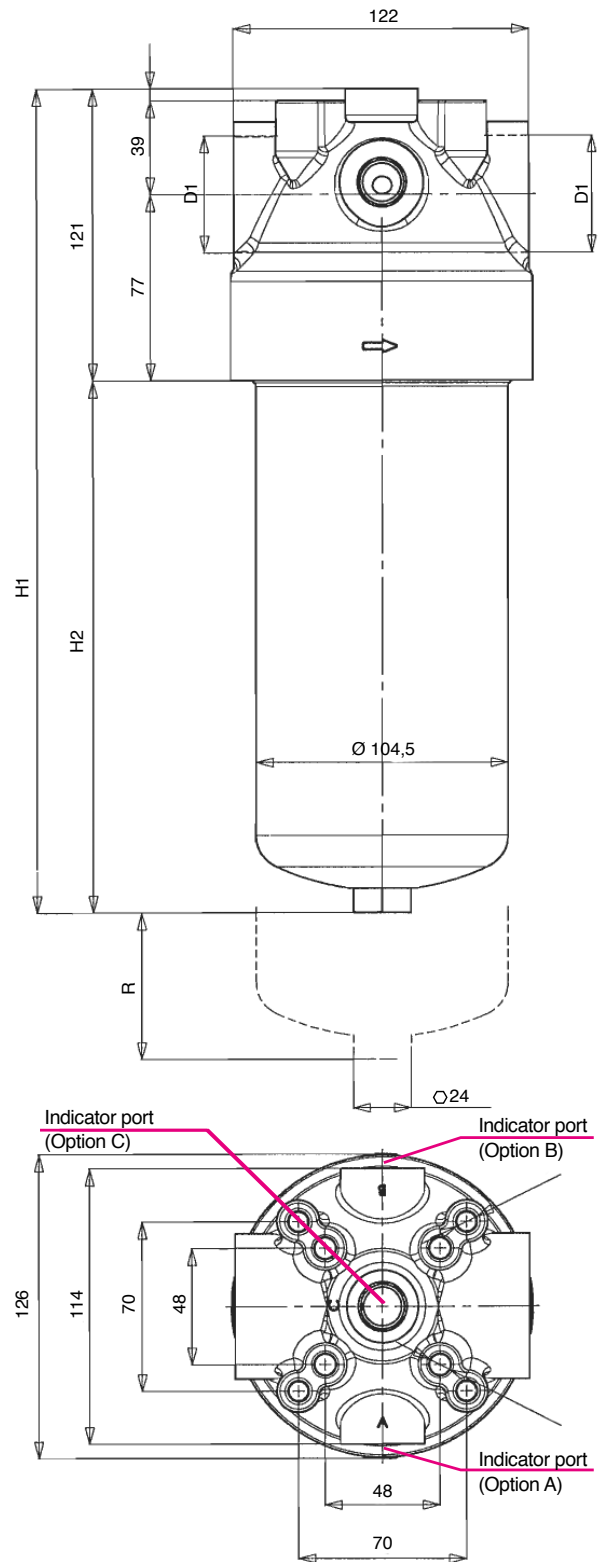
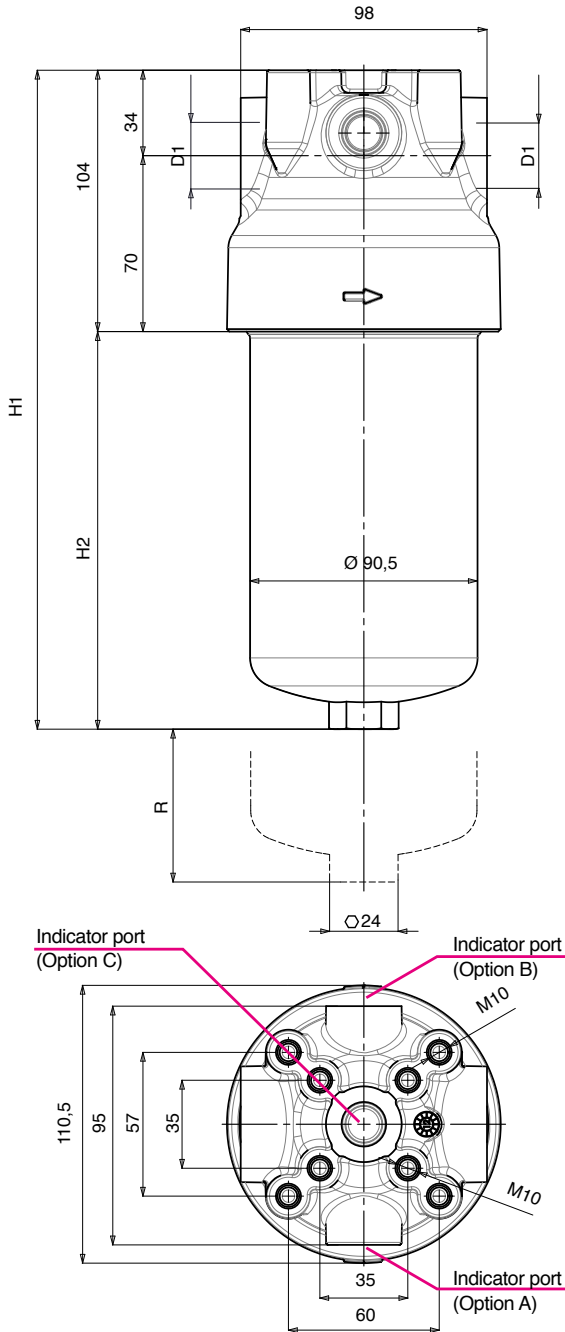
<input type="checkbox"/>	<input type="checkbox"/>	Filter Media				
		CC = Cellulose 10µm β>2	CC	CC	CC	CC
		CD = Cellulose 10µm β>2	CD	CD	CD	CD
		FA = Fibre 5µm(e) β>1.000	FA	FA	FA	FA
		FB = Fibre 7µm(e) β>1.000	FB	FB	FB	FB
		FC = Fibre 12µm(e) β>1.000	FC	FC	FC	FC
		FD = Fibre 21µm(e) β>1.000	FD	FD	FD	FD
		MC = Metal wire mesh 10µm	MC	MC	MC	MC
		MD = Metal wire mesh 30µm	MD	MD	MD	MD
		ME = Metal wire mesh 60µm	ME	ME	ME	ME
		MF = Metal wire mesh 90µm	MF	MF	MF	MF

<input type="checkbox"/>	<input type="checkbox"/>	Clogging Indicator				
		00 = No indicator port	00	00	00	00
		03 = Port, plugged	03	03	03	03
		5D = Visual Differential 2.5 bar	5D	5D	5D	5D
		6D = Electrical Differential 2.5 bar	6D	6D	6D	6D
		7D = Electrical & LED Differential 2.5 bar	7D	7D	7D	7D
		76 = Electrical & Visual Differential 2.5 bar	76	76	76	76
		T6 = Elect. diff 2.5 bar with thermostat 30°C	T6	T6	T6	T6

<input type="checkbox"/>	Accessories				
	W = No indicator port	W	W	W	W
	A = Indicator port - left side	A	A	A	A
	B = Indicator port - right side	B	B	B	B
	C = Indicator port - on the top	C	C	C	C

<input type="checkbox"/>	X	Accessories X = no access available	X	X	X	X
--------------------------	----------	--	----------	----------	----------	----------

Pressure Filter - PG
50 BAR RATED - FLOWS TO 400 LPM



FILTER HOUSING

	D1	H1	H2	R	kg
FPG20	3/4" - 1"	202	98	70	2,00
FPG21	3/4" - 1"	262	158	70	2,25
FPG22	3/4" - 1"	342	238	70	2,80
FPG31	1" 1/4 - 1" 1/2	341	220	70	3,50

