

PR10-32

Pressure Reducing/Relieving, 207 BAR Rated

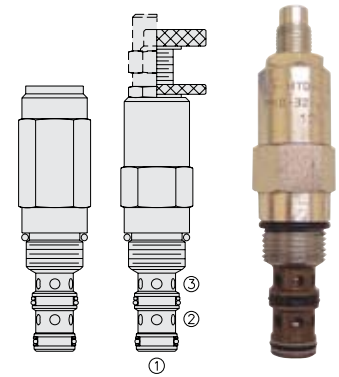
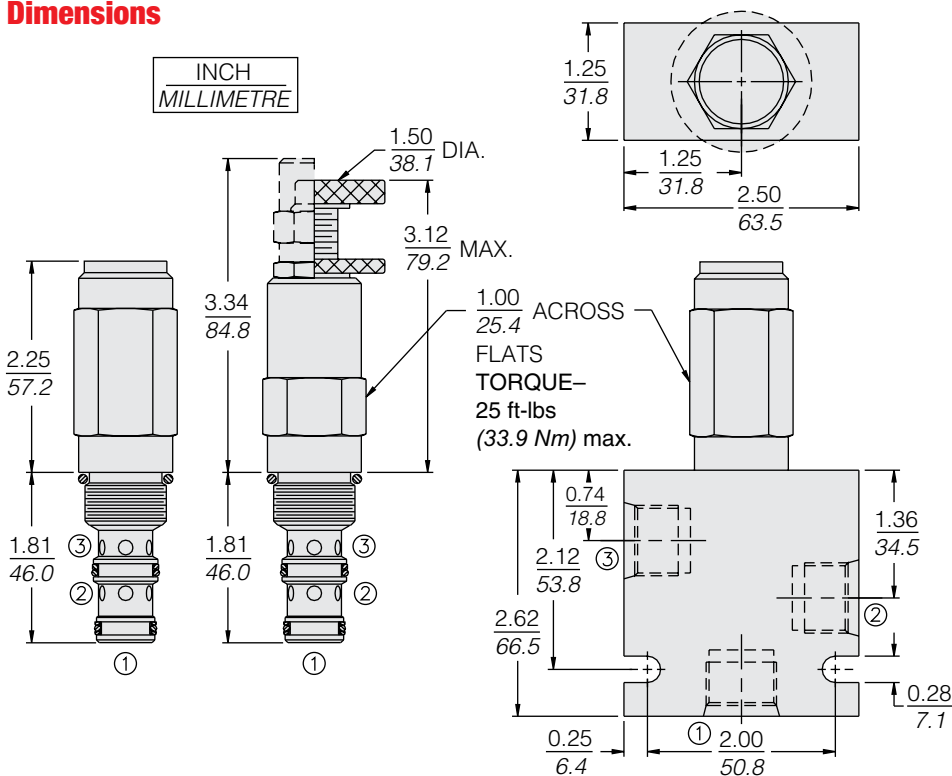
A screw-in, cartridge-style, direct-acting, spool-type, hydraulic pressure reducing/relieving valve with internal pilot and internal spring chamber drain, designed to act as a pressure-regulating device for secondary circuits. It is intended for use in stable input flow circuits.

Porting	Hydraforce code	Article no.	Spring Options	Price £	Price €
Cartridge Version	PR10-32A-0-N*	PR1032AC*	* suffix with	£78.80	€94.50
INLINE 1/4" BSP	PR10-32A-2B-N*	PR1032A2B*	3 = 3.4 TO 20.7 BAR 6 = 10.4 TO 41.4 BAR 12 = 20.7 TO 82.8 BAR	£128.80	€154.60
INLINE 3/8" BSP	PR10-32A-3B-N*	PR1032A3B*	22 = 34.5 TO 151 BAR	£128.80	€154.60

with nitril seals / Viton on request

- Standard** - with 1/4" HEX ALLEN HEAD 'A'
- On request** - 1 1/2" dia alum knob 'B'
Option 'A' with cover cap 'C'
Factory Set - Non Adjustable 'F'
Factory Set - Hidden Adjustment 'H'
Lockwire Holes 'L'

Dimensions



HYDRAFORCE

Materials

Cartridge:

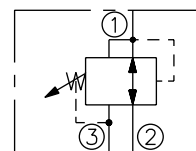
Weight: 0.27 kg. (0.60 lbs.)
Steel with hardened work surfaces.
Zinc-plated exposed surfaces.
Buna N O-rings and polyester elastomer back-ups standard.
Anodized aluminum knobs and caps.

Standard Ported Body:

Weight: 0.36 kg. (0.80 lbs.)
Anodized high-strength 6061 T6 aluminum alloy, rated to 240 bar (3500 psi).
Ductile iron bodies available; dimensions may differ.

Symbols

USASI/ISO:



Performance

