

PS10-32

Sequence, External Pilot, Internal Drain, 207 BAR Rated

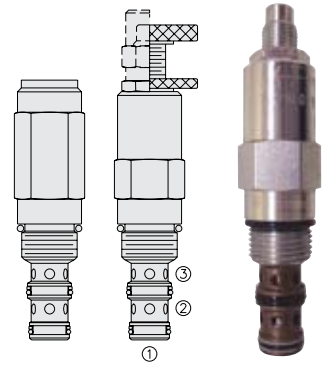
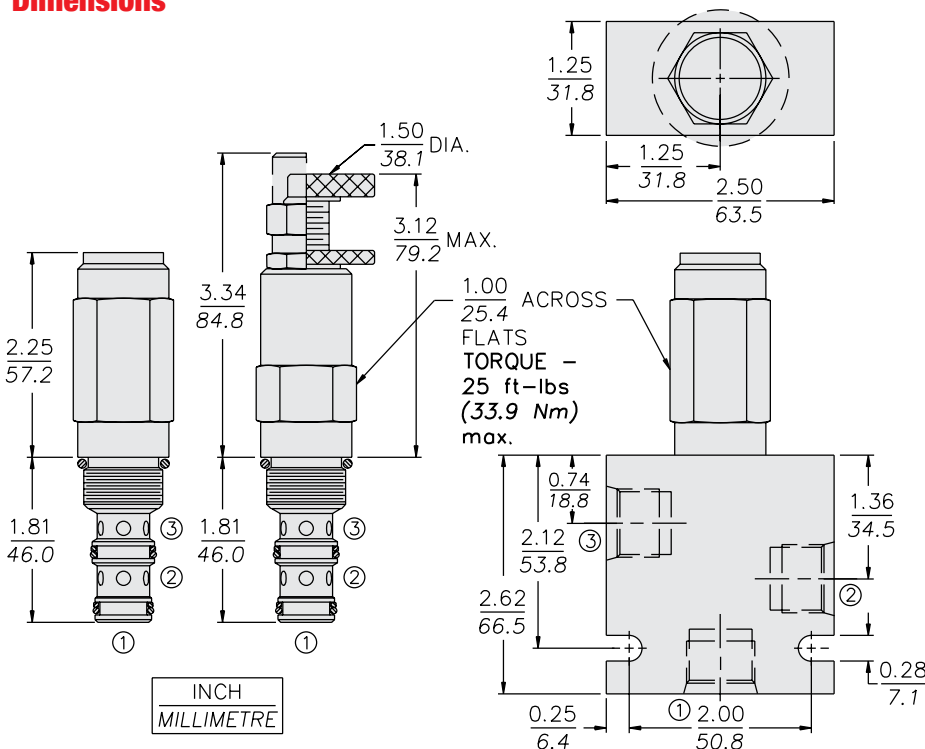
A screw-in, cartridge-style, direct-acting, spool-type, external pilot and internal spring chamber drain.

Porting	Hydraforce code	Article no.	Spring Options	Price £	Price €
Cartridge Version	PS10-32A-0-N*	PS1032AC*	* suffix with	£79.10	€95.00
INLINE 1/4" BSP	PS10-32A-2B-N*	PS1032A2B*	4 = 5.5 TO 27.6 BAR 8 = 13.8 TO 55.2 BAR	£129.20	€155.10
INLINE 3/8" BSP	PS10-32A-3B-N*	PS1032A3B*	15 = 20.7 TO 103 BAR 21 = 27.6 TO 145 BAR	£129.20	€155.10

with nitril seals / Viton on request

- Standard** - with 1/4" HEX ALLEN HEAD 'A'
On request - 1 1/2" dia alum knob 'B'
 Option 'A' with cover cap 'C'
 Factory Set - Non Adjustable 'F'
 Factory Set - Hidden Adjustment 'H'
 Lockwire Holes 'L'

Dimensions



HYDRAFORCE

Materials

Cartridge:

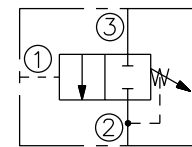
Weight: 0.27 kg. (0.60 lbs.)
 Steel with hardened work surfaces.
 Zinc-plated exposed surfaces.
 Buna N O-rings and polyester elastomer back-ups standard.
 Anodized aluminum knobs.

Standard Ported Body:

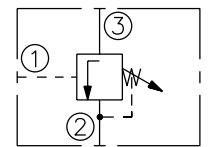
Weight: 0.36 kg. (0.80 lbs.)
 Anodized highstrength 6061 T6 aluminum alloy, rated to 207 bar (3000 psi).
 Ductile iron bodies available; dimensions may differ.

Symbols

USASI:



ISO:



Performance

