

RV10-26

Relief, Pilot-Operated Spool, 207 BAR Rated

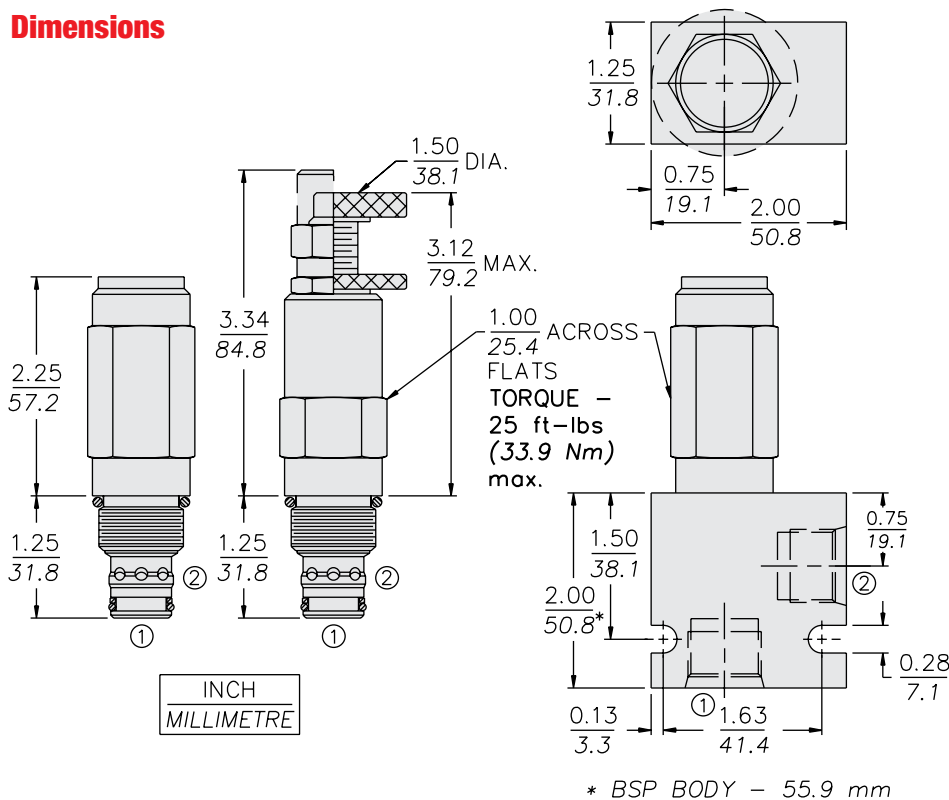
A screw-in, cartridge-style, pilot-operated (two-stage), spool-type hydraulic relief valve, intended for use as a pressure limiting device in demanding hydraulic circuits which require fast response and low hysteresis.

Porting	Hydraforce code	Article no.	Spring Options	Price £	Price €
Cartridge Version	RV10-26A-0-N*	RV1026AC*		£76.30	€91.60
INLINE 3/8" BSP	RV10-26A-3B-N*	RV1026A3B*	* suffix with 4 = 6.9 TO 27.6 BAR 15 = 10.3 TO 103 BAR 30 = 27.6 TO 206 BAR	£114.30	€137.20
INLINE 1/2" BSP	RV10-26A-4B-N*	RV1026A4B*		£114.30	€137.20

with nitril seals / Viton on request

- Standard** - with 1/4" HEX ALLEN HEAD 'A'
- On request** - 1 1/2" dia alum knob
Option 'A' with cover cap 'C'
Factory Set - Non Adjustable 'F'
Factory Set - Hidden Adjustment 'H'
Lockwire Holes 'L'

Dimensions



HYDRAFORCE

Materials

Cartridge:

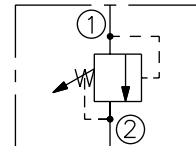
Weight: 0.25 kg. (0.55 lbs.)
Steel with hardened work surfaces.
Zinc-plated exposed surfaces.
Buna N O-rings and polyester elastomer back-ups standard.
Anodized aluminum knobs.
Optional polyurethane seals with Fluorocarbon back-up recommended for pressures over 240 bar (3500 psi).

Standard Ported Body:

Weight: 0.16 kg. (0.35 lbs.)
Anodized highstrength 6061 T6 aluminum alloy, rated to 207 bar (3000 psi).
Ductile iron bodies available; dimensions may differ.

Symbols

USASI/ISO:



Performance

