

## RV16-26

### Relief, Pilot-Operated Spool, 207 BAR Rated

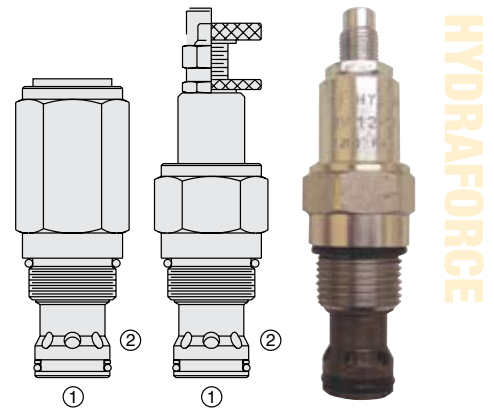
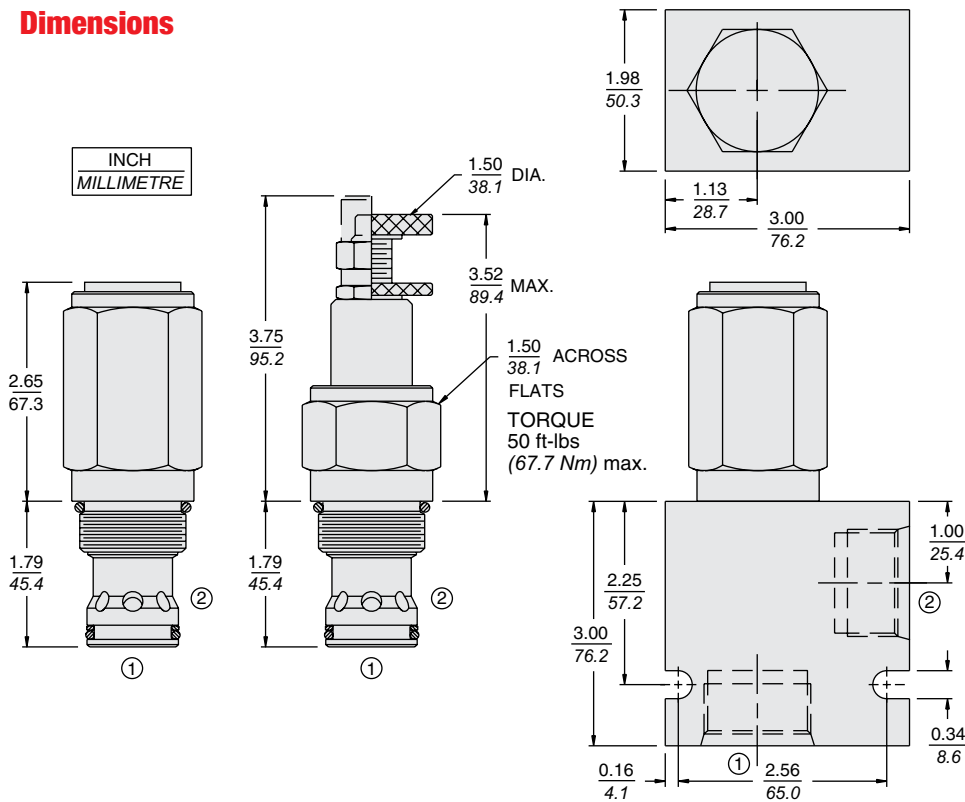
A screw-in, cartridge-style, pilot-operated (two-stage), spool-type hydraulic relief valve, intended for use as a pressure limiting device in demanding hydraulic circuits which require fast response and low hysteresis.

Porting	Hydraforce code	Article no.	Spring Options	Price £	Price €
Cartridge Version	RV16-26A-0-N*	<b>RV1626AC*</b>	* suffix with 3 = 9.7 TO 20.7 BAR 6 = 15.9 TO 41.4 BAR	<b>£193.50</b>	<b>€232.10</b>
INLINE 1" BSP	RV16-26A-8B-N*	<b>RV1626A8B*</b>	15 = 36.6 TO 103 BAR 35 = 82.8 TO 241 BAR	<b>£254.00</b>	<b>€304.80</b>

with nitril seals / Viton on request

- Standard** - with 1/4" HEX ALLEN HEAD 'A'  
**On request** - 1 1/2" dia alum knob  
 Option 'A' with cover cap 'C'  
 Factory Set - Non Adjustable 'F'  
 Factory Set - Hidden Adjustment 'H'  
 Lockwire Holes 'L'

### Dimensions



### Materials

#### Cartridge:

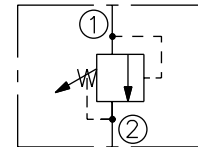
Weight: 0.73 kg. (1.60 lbs.)  
 Steel with hardened work surfaces.  
 Zinc-plated exposed surfaces.  
 Buna N O-rings and polyester elastomer back-up standard.  
 Anodized aluminum knobs.

#### Standard Ported Body:

Weight: 0.57 kg. (1.25 lbs.)  
 Anodized highstrength 6061 T6 aluminum alloy, rated to 207 bar (3000 psi).  
 Ductile iron bodies available; dimensions may differ.

### Symbols

#### USASI/ISO:



### Performance

