

RV50-22

HIGH PRESSURE

Relief, Differential Area Poppet

345 bar (5000 psi) BAR Rated

A screw-in, cartridge-style, direct-acting, differential area, poppet-type hydraulic relief valve for use as a pressure limiting device in more demanding hydraulic circuits requiring low hysteresis and low internal leakage at high working pressures.

Porting	Hydraforce code	Article no.	Spring Options	Price £	Price €
INLINE 1/2" BSP	RV50-22A-4BD-P-50	RV5022A4BD50	34.5 to 344.8 BAR	£146.60	€175.90

with Polyurethane seals

- Standard** - with 1/4" HEX ALLEN HEAD 'A'
- On request** - 1 1/2" dia alum knob 'B'
 Option 'A' with cover cap 'C'
 Factory Set - Non Adjustable 'F'
 Factory Set - Hidden Adjustment 'H'
 Lockwire Holes 'L'

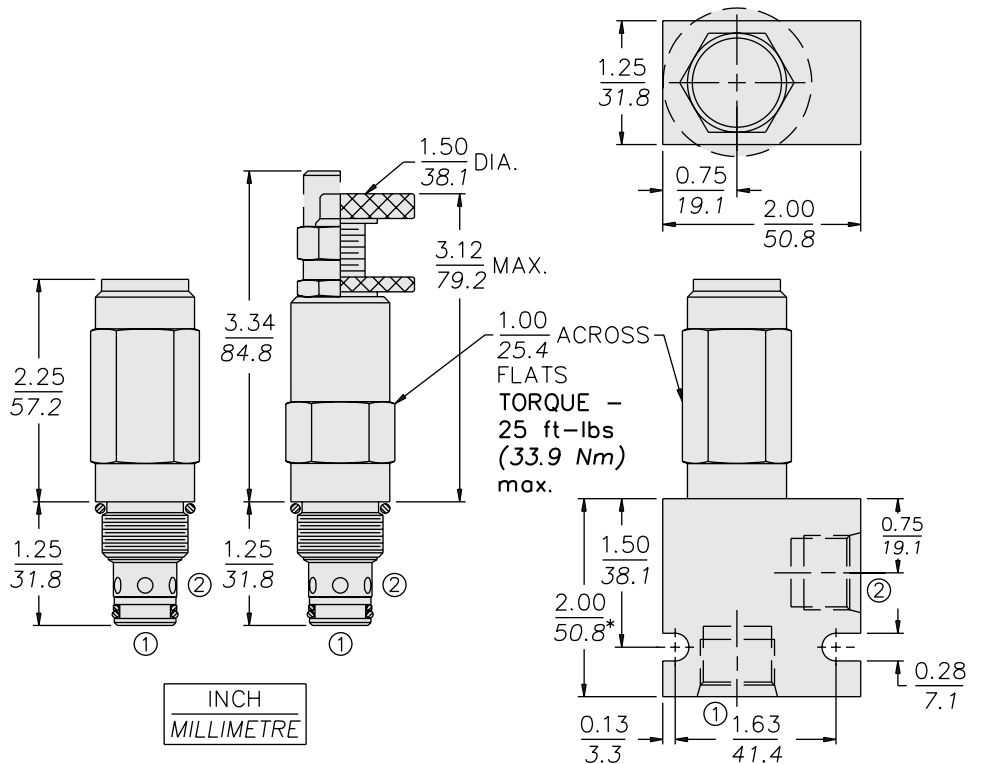
Materials

Cartridge:

Weight: 0.23 kg. (0.50 lbs.)
 Steel with hardened work surfaces.
 Zinc-plated exposed surfaces.
 Polyurethane seals with
 Fluorocarbon back-ups for
 pressures over 240 bar (3500 psi).
 Anodized aluminum knob.

Standard Ported Body:
 Weight: 0.54 kg. (1.2 lbs.)
 Ductile Iron (code "D")

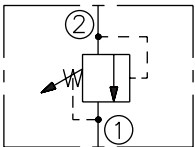
Dimensions



* BSP BODY - 55.9 mm

Symbols

USASI/ISO:



Performance

