

RV50-26

HIGH PRESSURE

Relief, Pilot-Operated Spool

345 bar (5000 psi) Rated

A screw-in, cartridge-style, pilot-operated (two-stage), spool-type hydraulic relief valve, intended for use as a pressure limiting device in demanding hydraulic circuits which require fast response and low hysteresis.

Porting	Hydraforce code	Article no.	Spring Options	Price £	Price €
INLINE 1/2" BSP	RV50-26A-4BD-P-50	RV5026A4BD50	83 to 345 BAR	£155.90	€187.10

with Polyurethane seals

Materials

Cartridge:

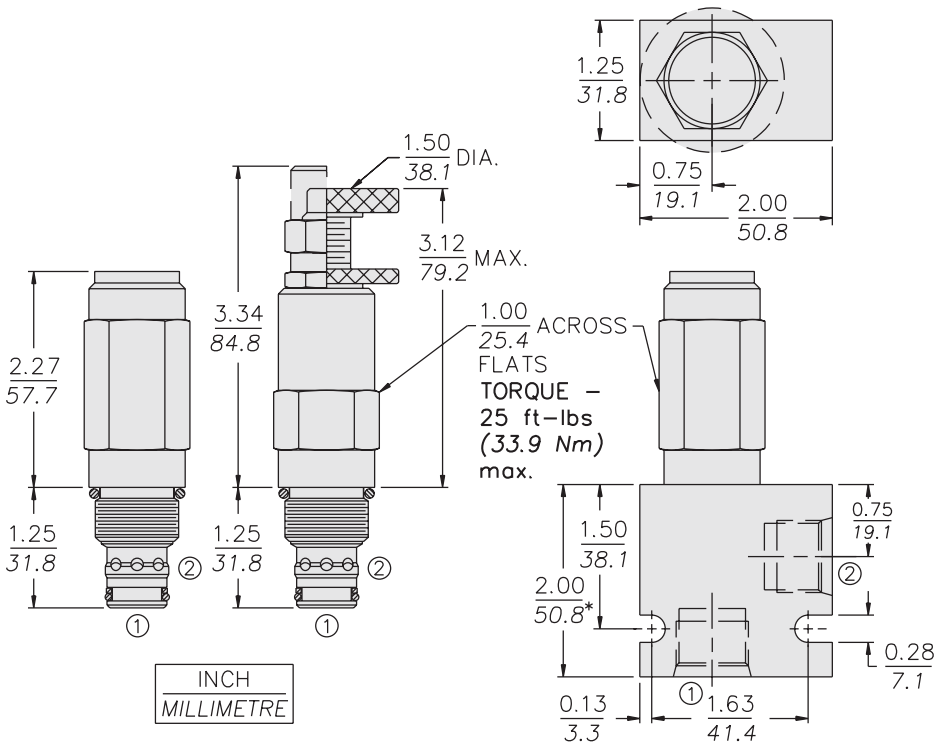
Weight: 0.25 kg. (0.55 lbs.)
Steel with hardened work surfaces.
Zinc-plated exposed surfaces.
Poly-urethane seals with
Fluorocarbon back-ups for
pressures over 240 bar (3500 psi).
Anodized aluminum knobs.

Ported Body:

Weight: 0.54 kg. (1.2 lbs.)
Ductile Iron (code "D") standard,

- Standard** - with 1/4" HEX ALLEN HEAD 'A'
On request - 1 1/2" dia alum knob 'B'
Option 'A' with cover cap 'C'
Factory Set - Non Adjustable 'F'
Factory Set - Hidden Adjustment 'H'
Lockwire Holes 'L'

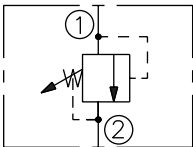
Dimensions



* BSP BODY - 55.9 mm

Symbols

USASI/ISO:



Performance

