

## RV58-20

### Relief, Direct-Acting Poppet, High Pressure

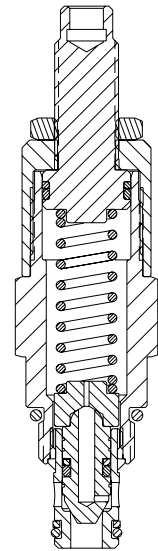
### 345 bar (5000 psi) Rated

A screw-in, cartridge-style, direct-acting, poppet-type, hydraulic relief valve intended for lower flow circuits requiring low internal leakage at higher pressures.

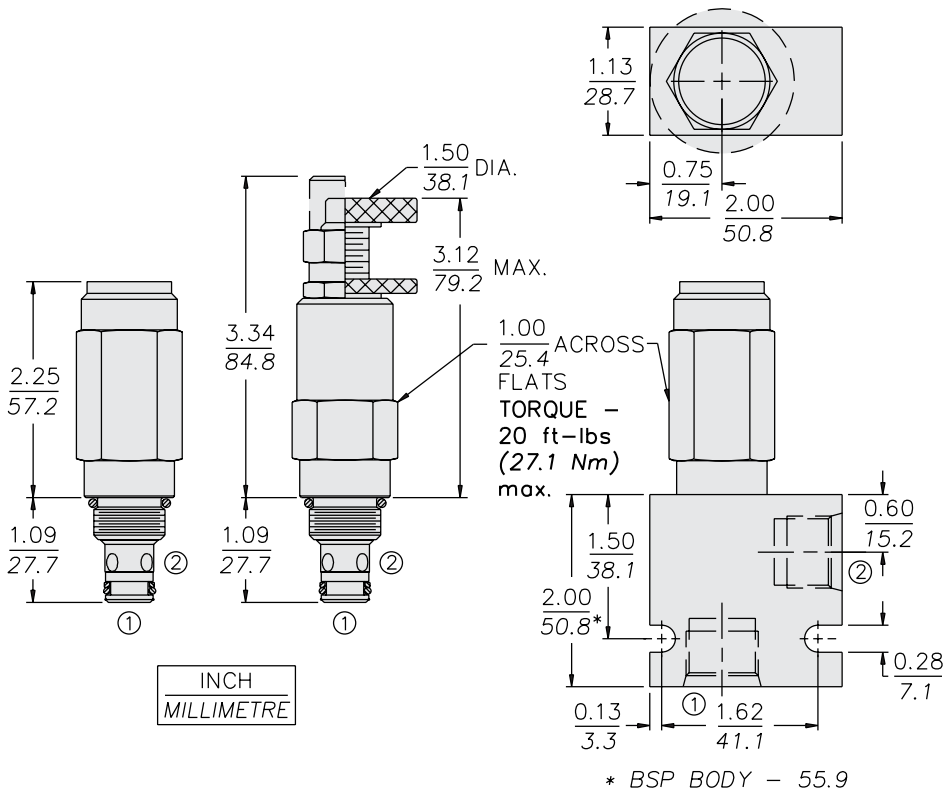
Porting	Hydraforce code	Article no.	Spring Options	Price £	Price €
INLINE 3/8" BSP	RV58-20A-3BD-P-46	<b>RV5820A3BD46</b>	27.6 to 317.2 BAR	<b>£130.40</b>	<b>€156.50</b>

**with Polyurethane seals**

- Standard** - with 1/4" HEX ALLEN HEAD 'A'
- On request** - 1 1/2" dia alum knob 'B'
- Option 'A' with cover cap 'C'
  - Factory Set - Non Adjustable 'F'
  - Factory Set - Hidden Adjustment 'H'
  - Lockwire Holes 'L'



### Dimensions



### Materials

#### Cartridge:

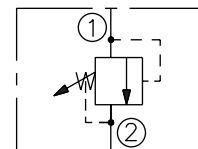
Weight: 0.23 kg. (0.50 lbs.)  
Steel with hardened work surfaces.  
Zinc-plated exposed surfaces.  
Polyurethane O-rings and back-up standard. Anodized aluminum knobs and caps.

#### Ported Body:

Weight: 0.54 kg. (1.20 lbs.)  
Ductile Iron (code "D") standard,

### Symbols

#### USASI/ISO:



### Performance

