

# Suction Filter - SC heavy series

**FLOW RATES UP TO 500LPM**

**Pressure** (ISO 10771-1:2002)

Collapse, differential for the filter element (ISO 2941): 100 kPa (1 bar)

**Working Temperature**

From -25° to + 110° C

**Compatibility** (ISO 2943:1999)

Full with fluids: HH-HL-HM-HV-HTG (according to ISO 6743/4)

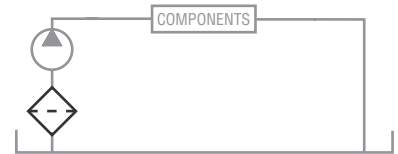
For fluids different than the above mentioned, please contact our Sales Department.

## Materials

SC51 & SC61

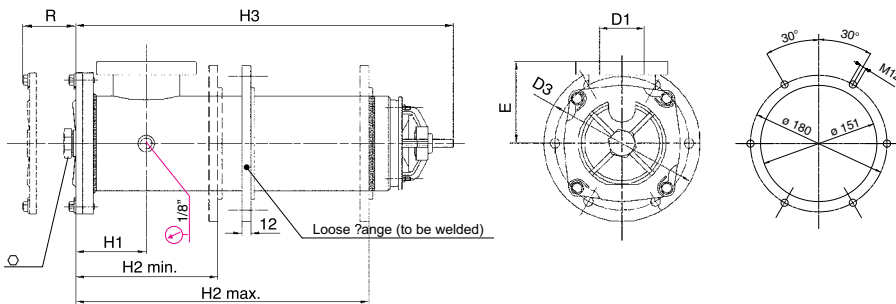
- Housing: Steel
- Cover: Aluminium
- Shut-off valve: Polyamide
- Seals: NBR Nitrile  
(FKM - on request fluoroelastomer)
- Indicator housing: Brass

SUCTION FILTERS



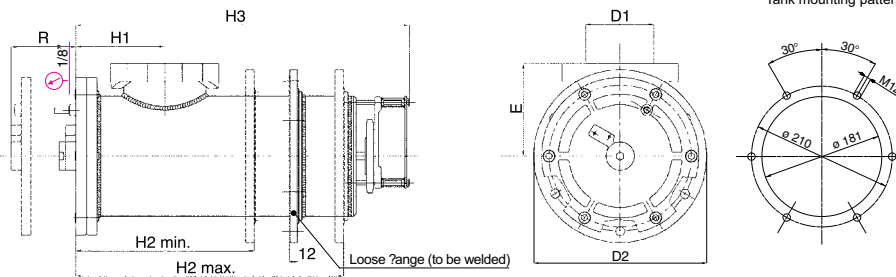
### FSC 51

Tank mounting pattern



### FSC 61

Tank mounting pattern



### Application Example

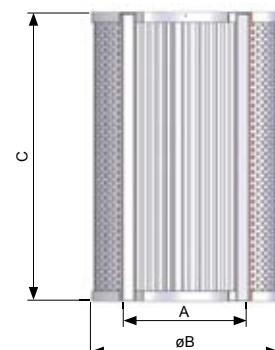


### FILTER HOUSING - Dimensions (mm)

	D1	D2	E	H1	H2*	H3	R	O	kg
<b>FSC51</b>	3"	210	110	95	174 + 355	480	500	32	13
<b>FSC61</b>	4"	242	130	122	250 + 405	470	500	32	16

### FILTER ELEMENT - Dimensions (mm)

	A	B	C	kg	Area (cm <sup>2</sup> ) media M+
<b>ESC51</b>	65	99	375	0.90	3.545
<b>ESC61</b>	93	136	375	1.60	5.065



# Suction Filter - SC standard & heavy series

## Ordering Codes - Filter

<input type="checkbox"/>	<b>Type</b>		<b>Standard</b>				<b>Heavy</b>	
	F = Filter Complete		F	F	F	F	F	F
	B = Filter Housing		B	B	B	B	B	B
<input type="checkbox"/>	<input type="checkbox"/>	<b>Family, Nominal Size, Length</b>	31	41	71	81	51	61
<input type="checkbox"/>	<b>Port Type</b>							
	B = BSP thread		B	B	-	-	F	F
	F = SAE flange 3000 psi		-	F	F	F	-	-
<input type="checkbox"/>	<input type="checkbox"/>	<b>Port Size</b>						
	10 = 1 1/4" (B10 only)		10	-	-	-	-	-
	12 = 1 1/2" (B12 only)		-	12	-	-	-	-
	16 = 2" (F16 only)		-	16	-	-	-	-
	20 = 2 1/2" (F20 only)		-	20	-	-	-	-
	24 = 3"		-	-	24	-	24	-
	32 = 4"		-	-	-	32	-	32
<input type="checkbox"/>	<b>Bypass Valve</b>							
	W = Without		W	W	W	W	W	W
<input type="checkbox"/>	<b>Seals</b>							
	N = NBR Nitrile		N	N	N	N	N	N
	F = FKM Fluoroelastomer		F	F	F	F	F	F
	G = Treatment for water-glycol		G	G	G	G	G	G
<input type="checkbox"/>	<input type="checkbox"/>	<b>Filter Media</b>						
	ME = Metal wire mesh 60µm		ME	ME	ME	ME	ME	ME
	MF = Metal wire mesh 90µm		MF	MF	MF	MF	MF	MF
	MG = Metal wire mesh 250µm		MG	MG	MG	MG	MG	MG
<input type="checkbox"/>	<input type="checkbox"/>	<b>Clogging Indicator</b>						
	01 = 1/8" port, plugged		-	-	-	-	-	01
	04 = nr. 2 x 1/8" seats, plugged		04	04	04	04	04	-
	10 = vacuum gauge, rear connection		10	10	10	10	10	10
	91 = SPDT, vacuum switch		91	91	91	91	91	91
<input type="checkbox"/>	<b>Accessories</b>							
	W = without		W	W	W	W	W	W
	M = magnetic core		-	M	M	M	M	M
<input type="checkbox"/>	<b>Accessories</b>							
	W = without		W	W	W	W	W	W
	S = safety microswitch		-	S	S	S	S	S

## Ordering Codes - Element

<input type="checkbox"/>	<input type="checkbox"/>	<b>E</b>	<b>Element</b>						
<input type="checkbox"/>	<input type="checkbox"/>	<input type="checkbox"/>	<b>Family, Nominal Size, Length</b>	31	41	71	81	51	61
<input type="checkbox"/>	<b>Seals</b>								
	X = not applicable		X	X	X	X	X	X	
	G = Treatment for water-glycol		G	G	G	G	G	G	
<input type="checkbox"/>	<input type="checkbox"/>	<b>Filter Media</b>							
	ME = Metal wire mesh 60µm		ME	ME	ME	ME	ME	ME	
	MF = Metal wire mesh 90µm		MF	MF	MF	MF	MF	MF	
	MG = Metal wire mesh 250µm		MG	MG	MG	MG	MG	MG	

# Suction Filter - SC standard series

## FLOW RATES UP TO 500LPM

**Pressure** (ISO 10771-1:2002)

Collapse, differential for the filter element (ISO 2941): 100 kPa (1 bar)

**Working Temperature**

From -25° to + 110° C

**Compatibility** (ISO 2943:1999)

Full with fluids: HH-HL-HM-HV-HTG (according to ISO 6743/4)

For fluids different than the above mentioned, please contact our Sales Department.

### Materials

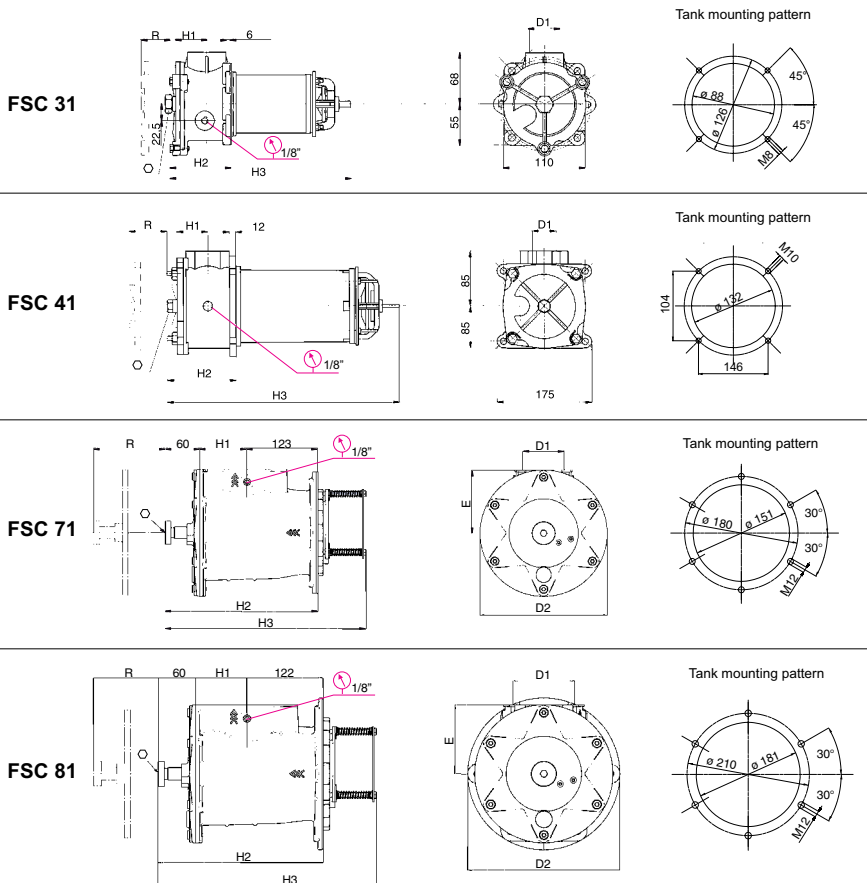
- SC31 & SC41     Cover & head: Aluminium alloy  
                      Bowl: Polyamide
- SC71 & SC81     Cover & housing: Aluminium
- Shut-off valve: Polyamide
- Seals: NBR Nitrile  
(FKM - on request fluoroelastomer)
- Indicator housing: Brass



SUCTION FILTERS



### Application Example



### FILTER HOUSING - Dimensions (mm)

	D1	D2	E	H1	H2	H3	R	O	kg
<b>FSC31</b>	1 1/4"	-	-	42	80	275	250	22	1.6
<b>FSC41</b>	1 1/2" - 2" - 2 1/2"	-	-	66	120	322	300	32	3.0
<b>FSC71</b>	3"	220	110	82	265	348.5	250	10	5.5
<b>FSC81</b>	4"	242	110	82	264	348.5	250	10	6.0

### FILTER ELEMENT - Dimensions (mm)

	A	B	C	kg	Area (cm²) media M+
<b>ESC31</b>	29.5	70	163	0.25	1.6
<b>ESC41</b>	65	99	198	0.50	1.845
<b>ESC71</b>	77	120	196	0.80	2400
<b>ESC81</b>	93	136	196	0.90	2600

