



Suction Filter - SD

FLOW RATES UP TO 500LPM

Pressure (ISO 10771-1:2002)

Collapse, differential for the filter element (ISO 2941): 1 MPa (10 bar)

Bypass Valve

Setting: 35 kPa (0,35 bar) ± 10%

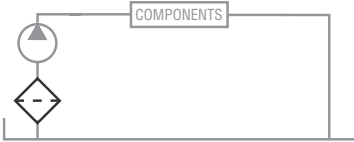
Working Temperature

From -25° to +110° C

Compatibility (ISO 2943:1999)

Full with fluids: HH-HL-HM-HV-HTG (according to ISO 6743/4)

For fluids different than the above mentioned, please contact our Sales Department.

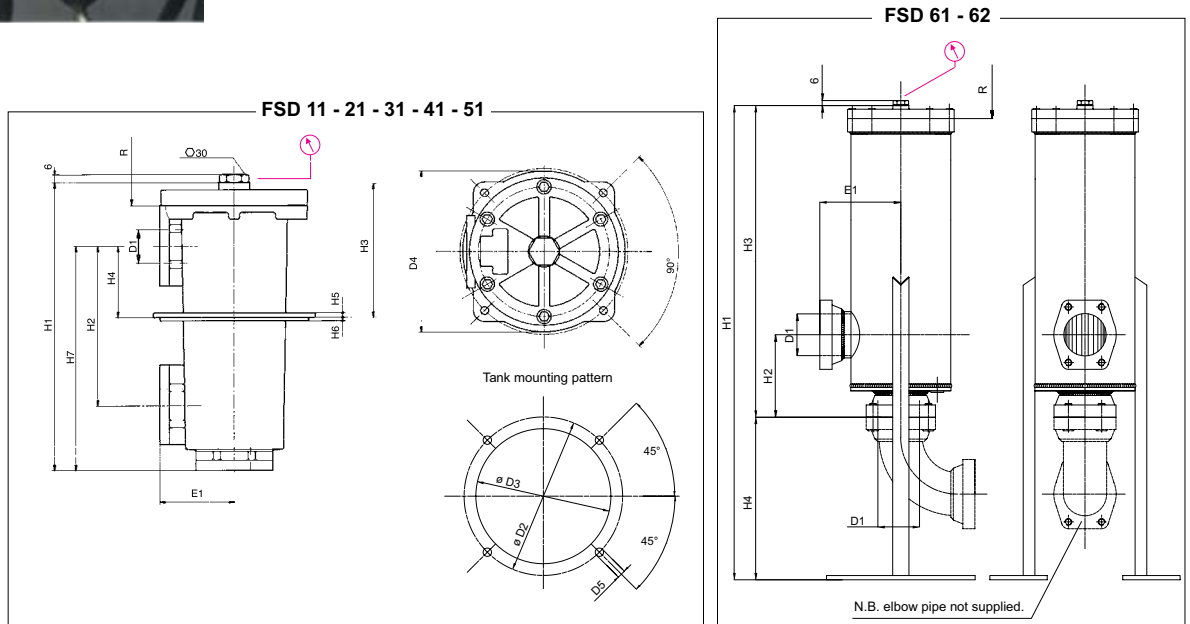


Application Example



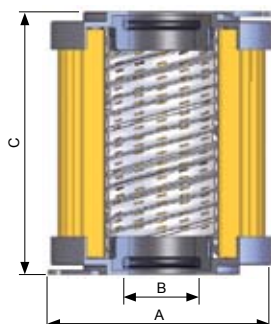
Materials

Cover & housing: Anodized aluminium alloy
 For 61&62 only: Cover: anodized aluminium alloy
 steel
 Housing: steel
 Bypass valve: Polyamide
 Seals: NBR Nitrile
 (FKM on request fluoroelastomer)
 Indicator housing: Brass



FILTER HOUSING - Dimensions (mm)

	D1	D2	D3	D4	D5	E1	H1	H2	H3	H4	H5	H6	R	kg
FSD11	1/2"	95	85	90	M5	43	160	62.5	96	31.5	4	3	105	1.3
FSD21	3/4"	138	123	128	M6	57	191	105	100	52	6	3	110	2.6
FSD31	1"	154	137	147	M6	67	250	140	117	63	8	4	155	3.7
FSD41	1 1/2"	180	164	174	M8	82	323	177	155	82	8	4	240	6.5
FSD51	2 1/2"	275	239	254	M10	117.5	420	218	192	91	10	8	275	14.2
FSD61	3 1/2"	-	-	-	-	178	1130	200	673	457	-	-	525	49.0
FSD62	4"	-	-	-	-	178	1590	200	1110	480	-	-	1020	75.0



FILTER ELEMENT - Dimensions (mm)

	A	B	C	kg	Area (cm ²) media M+
ESD11	52	28/24	70	0.10	245
ESD21	70	34	85	0.20	460
ESD31	70	34	130	0.25	740
ESD41	99	51	211	0.70	2.330
ESD51	130	74	251	1.50	3.340
ESD61	130	74/85	500	2.00	9.860
ESD62	143	96.3	896	3.80	22.000

Suction Filter - SD

Ordering Codes - Filter

<input type="checkbox"/>	Type							
	F = Filter Complete	F	F	F	F	F	F	F
	B = Filter Housing	B	B	B	B	B	B	B
<input type="checkbox"/>	Family, Nominal Size, Length	11	21	31	41	51	61	62
<input type="checkbox"/>	Port Type							
	B = BSP Thread	B	B	B	B	B	-	-
	N = NPT Thread	N	N	N	N	N	-	-
	S = SAE Thread	S	S	S	S	S	-	-
	F = SAE flanged 3000psi, metric screws	-	-	F	F	F	F	F
<input type="checkbox"/>	Port Size							
	04 = 1/2"	04	-	-	-	-	-	-
	06 = 3/4"	-	06	-	-	-	-	-
	08 = 1"	-	-	08	-	-	-	-
	12 = 1 1/2"	-	-	-	12	-	-	-
	20 = 2 1/2"	-	-	-	-	20	-	-
	28 = 3 1/2"	-	-	-	-	-	28	-
	32 = 4"	-	-	-	-	-	-	32
<input type="checkbox"/>	Bypass Valve							
	W = Without	W	W	W	W	W	W	W
	A = 35 kPa (0.35 bar)	A	A	A	A	A	A	A
<input type="checkbox"/>	Seals							
	N = NBR Nitrile	N	N	N	N	N	N	N
	F = FKM Fluoroelastomer	F	F	F	F	F	F	F
<input type="checkbox"/>	Filter Media							
	ME = Metal wire mesh 60µm	ME	ME	ME	ME	ME	ME	ME
	MF = Metal wire mesh 90µm	MF	MF	MF	MF	MF	MF	MF
	MG = Metal wire mesh 250µm	MG	MG	MG	MG	MG	MG	MG
<input type="checkbox"/>	Clogging Indicator							
	08 = 1/8" seat, plugged	08	08	08	08	08	08	08
	11 = vacuum gauge, bottom connection	11	11	11	11	11	11	11
	91 = SPDT, vacuum switch	91	91	91	91	91	91	91
<input checked="" type="checkbox"/>	Accessories = no access available	XX	XX	XX	XX	XX	XX	XX



SUCTION FILTERS

FLUID SPEED

(when selecting the filter size, we suggest to consider also the max recommended fluid speed (in suction lines normally $0,1 < v < 1$ m/s)

