

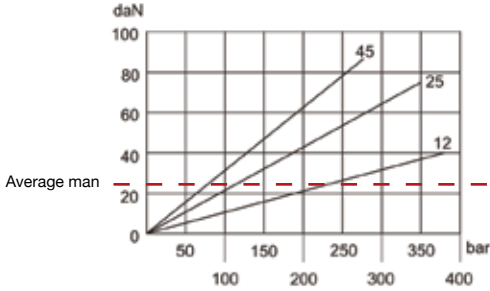


## PMI – Lever Operated Hand Pump

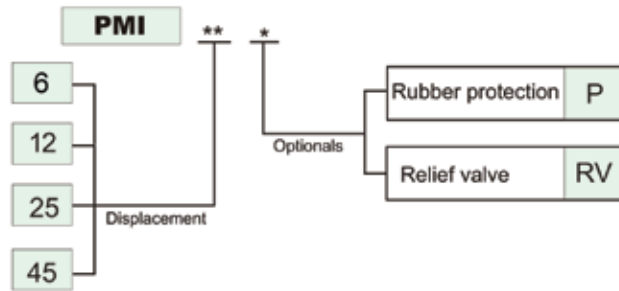
Article no.	Max Pressure BAR	Price £	Price €
<b>PMI6</b>	450	<b>£181.50</b>	<b>€187.00</b>
<b>PMI12</b>	250	<b>£184.40</b>	<b>€190.00</b>
<b>PMI25</b>	130	<b>£184.40</b>	<b>€190.00</b>
<b>PMI45</b>	80	<b>£190.20</b>	<b>€196.00</b>
<b>Rubber Protection</b>		<b>£7.30</b>	<b>€7.50</b>
<b>Relief Valve Option</b>		<b>£14.50</b>	<b>€15.00</b>

Price is without tank – order tanks separately

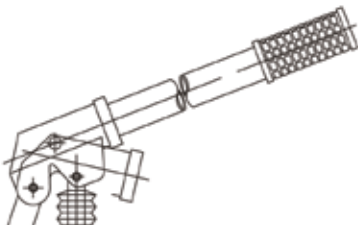
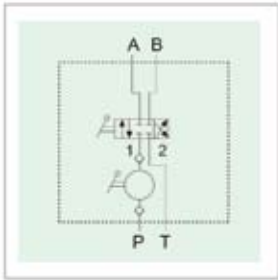
Effort (daN) operating on the end of the lever  
Average man will generate 25 daN force



### Ordering Code



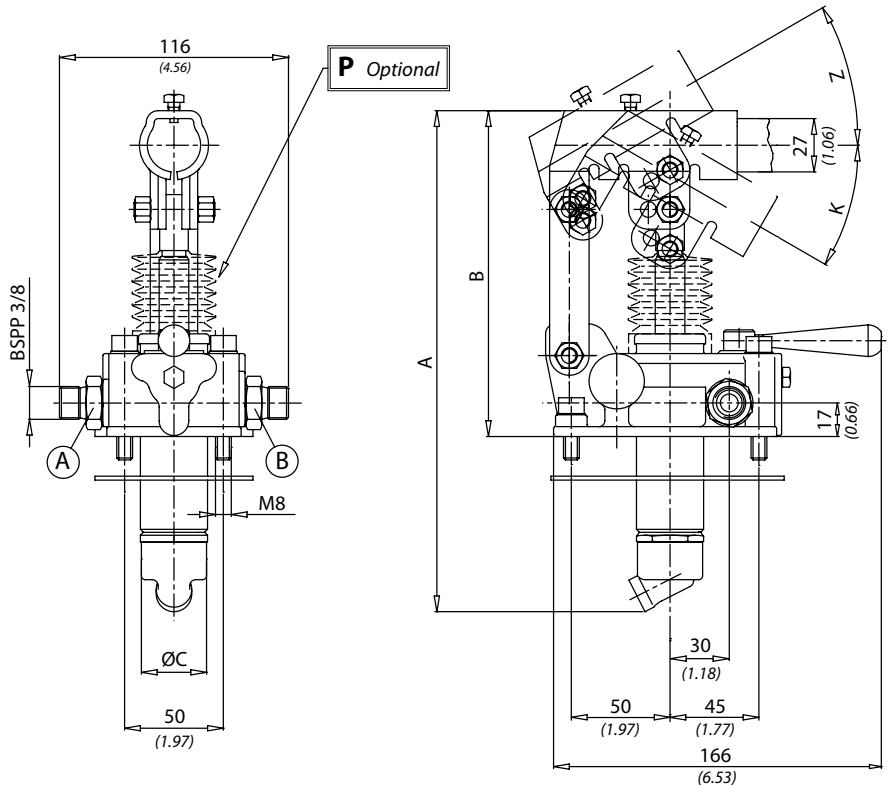
### Dimensions



Lever = 600mm

With 4 way, 3 position (closed centre) flow diverter.

Oil flow in both directions of lever action.



Y	Displacement	K	Z	A	B	C	Weight Kg
6	6 cm³ (0.36 in³)	31°	26°				
12	12 cm³ (0.73 in³)	31°	35°	253 (9.96)	166 (6.53)	34 (1.33)	4,4
25	25 cm³ (1.52 in³)	30°	25°	273 (10.74)	172 (6.77)		
45	45 cm³ (2.75 in³)	33°	35°	283 (11.14)		40 (1.57)	