

# Pressure Gauge Adaptors for Direct Mount onto Test Point

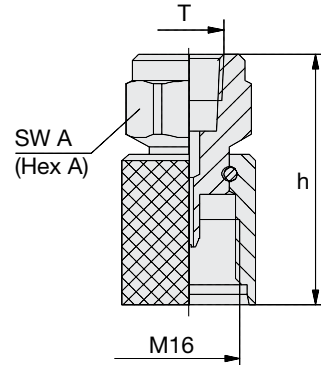
630 BAR Rated

Article no.	T	h	SW A	Price £	Price €
20.21.33	G1/4"	41	19	£13.10	€15.70
20.21.34	G1/2"	51	27	£19.40	€23.30
20.21.43	1/4" NPT	41	19	£24.70	€29.60
20.21.44	1/2" NPT	51	27	£27.20	€32.70

Stainless Steel - Available on request

### Materials

Body	Steel 316 Stainless Steel - On Request
Seal	NITRIL - Others on Request
Temp. Range	-30 to +100°C



# Pressure Gauge Adaptors for Monitoring Hose

630 BAR Rated

Article no.	T	h	SW A	Price £	Price €
20.20.33	G1/4"	54	19	£10.90	€13.10
20.20.34	G1/2"	64	27	£20.60	€24.70
20.20.43	1/4" NPT	54	19	£17.40	€20.90
20.20.44	1/2" NPT	64	27	£20.60	€24.70

### Materials

Body	Steel 316 Stainless Steel - On Request
Seal	NITRIL - Others on Request
Temp. Range	-30 TO +100°C

