



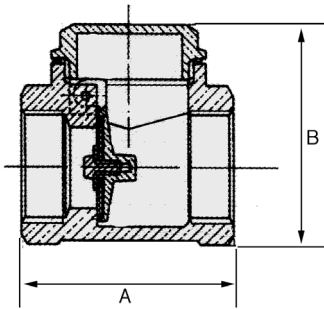
Brass Swing Check Valves

8 – 12 BAR Rated – Single Acting Check Valve – Series ART 130

Article no. RUBBER SEAT NBR	Article no. METAL SEAT	Size BSP	Max Pressure BAR	Max Flow LPM	Price £	Price €
10080	10080M	3/8"	12	25	£8.20	€8.40
10081	10081M	1/2"	12	30	£7.60	€7.80
10082	10082M	3/4"	12	70	£10.40	€10.70
10083	10083M	1"	12	80	£15.30	€15.80
10084	10084M	1 1/4"	10	180	£22.80	€23.50
10085	10085M	1 1/2"	10	210	£29.70	€30.60
10086	10086M	2"	10	360	£41.60	€42.90
	10087	2 1/2"	8	480	£83.40	€86.00
	10088	3"	8	960	£115.00	€118.60
	10089	4"	8	1200	£207.50	€214.00

Technical Specifications

Brass Construction
Temp Range = -20°C to +110°C
Available with NITRIL soft seat up to size 2" as standard



Dimensions – Series ART 130

Size	BSP	3/8"	1/2"	3/4"	1"	1 1/4"	1 1/2"	2"	2 1/2"	3"	4"
A	mm	43	43	52	62	72	81	94	119	134	169
B	mm	50	50	59.5	68	77	88	100	128	148	185



Stainless Steel Swing Check Valves

200 PSI Rated - Single Acting Check Valve

Article no. BSP	Size BSP	Price £	Price €
710081	1/2"	£22.00	€26.40
710082	3/4"	£26.20	€31.40
710083	1"	£52.40	€62.90
710084	1 1/4"	£66.90	€80.30
710085	1 1/2"	£79.70	€95.60
710086	2"	£122.70	€147.20
710087	3"	£545.20	€654.20

Technical Specifications

Temp Range = -30°C to +200°C

Dimensions

Size	BSP	1/4"	3/8"	1/2"	3/4"	1"	1 1/4"	1 1/2"	2"
A	mm	66	66	66	81	91	106.5	121	142
B	mm	46	46	46	54	60	72	75	82

